

**PRECISION
TWO-PIECE BALANCED SHAFT/HUB CLAMPS**

PHONE: 516.328.3300 • FAX: 516.326.8827 • WWW.SDP-SI.COM

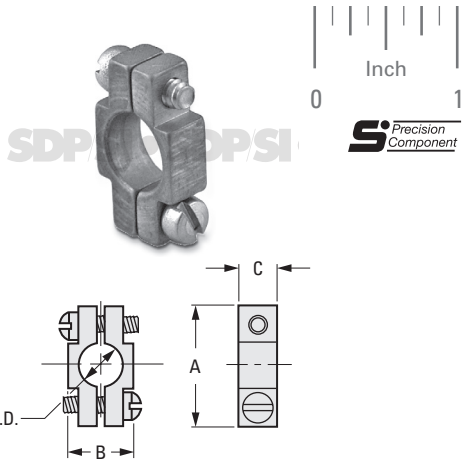
> MATERIAL:

- 303 Stainless Steel
- Hardened 416 Stainless Steel

> SPECIFICATIONS:

Tolerances	
Decimals	± .005
Fractions	± 1/64

Stainless Steel slotted fillister head screws supplied.



INCH COMPONENT

Catalog Number		Shaft Size	I.D.* +.002 -.000	A	B	C	Screw Size	Clearance Radius
Hardened 416 Stainless Steel	303 Stainless Steel							
S3401Y-C147-2	S3401Y-C147-2S	1/8	.187	.500	.286	.156	#2-56	9/32
S3401Y-C147-3	S3401Y-C147-3S	3/16	.250	.590	.350	.187	#3-48	11/32
S3401Y-C147-4	S3401Y-C147-4S	1/4	.312	.687	.420		#4-40	13/32
S3401Y-C147-5	S3401Y-C147-5S	5/16	.375	.781	.510		#5-40	15/32
S3401Y-C147-6	S3401Y-C147-6S	3/8	.437	.890	.636	.250	#6-32	17/32

* Dimensions apply before slot is made.
For socket head screws, add "H" to the end of catalog number.

PRECISION SPLIT SHAFT/HUB CLAMPS

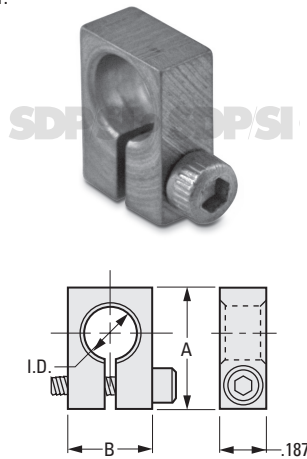
> MATERIAL:

- Hardened 416 Stainless Steel

> SPECIFICATIONS:

Tolerances	
Decimals	± .005
Fractions	± 1/64

Stainless Steel socket head cap screw supplied.



INCH COMPONENT

Catalog Number	Shaft Size	I.D.* +.001 -.000	A	B	Screw Size	Clearance Radius
S3200Y-C043	1/16	.125	23/64	.218	#4-40	21/64
S3200Y-C044	1/8	.187	27/64	.281		25/64
S3200Y-C045	3/16	.250	31/64	.344		7/16

* Dimensions apply before slot is made.

