

COMMERCIAL SHAFT/HUB CLAMPS

PHONE: 516.328.3300 • FAX: 516.326.8827 • WWW.SDP-SI.COM

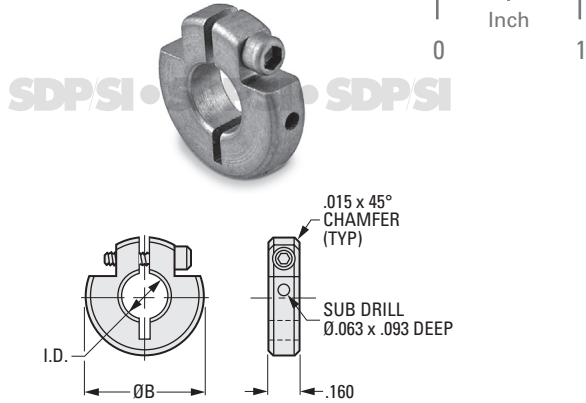
> MATERIAL:

Hardened 416 Stainless Steel

> SPECIFICATIONS:

Tolerances	
Decimals	± .010
Fractions	± 1/32

Stainless Steel socket head cap screw supplied.



INCH COMPONENT				
Catalog Number	I.D.* +.001 -.000	B Dia.	Screw Size	Clearance Radius
S3502Y-J152	.1250	.500	#2-56	19/64
S3502Y-J153	.1562			
S3502Y-J154	.1875			
S3502Y-J155	.2500	.594		11/32

* Dimensions apply before slot is made.

COMMERCIAL SPLIT SHAFT/HUB CLAMP, 1/8 SHAFT

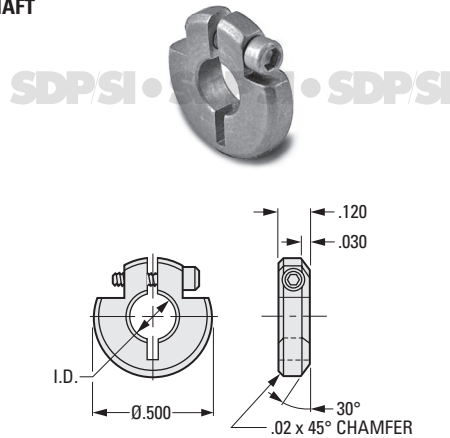
> MATERIAL:

303 Stainless Steel

> SPECIFICATIONS:

Tolerances	
Decimals	± .010
Fractions	± 1/32

Stainless Steel socket head cap screw supplied.



INCH COMPONENT			
Catalog Number	I.D.* +.002 -.000	Screw Size	Clearance Radius
S3502Y-J057	.1875	#1-72	19/64

* Dimension applies before slot is made.