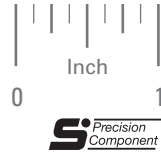


ANTI-BACKLASH WORM GEARS • 48 PITCH



AGMA 10
RIGHT-HAND
SINGLE, DOUBLE & QUADRUPLE THREAD
1/8, 3/16 & 1/4 BORE

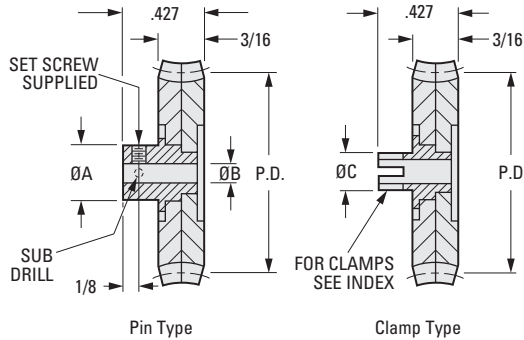
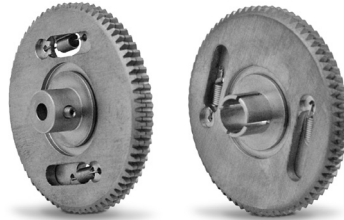
PHONE: 516.328.3300 • FAX: 516.326.8827 • WWW.SDP-SI.COM



> MATERIAL:

- Gears - Bronze QQ-B-637 Alloy 464
- Hubs - 303 Stainless Steel
- Springs - 302 Stainless Steel, Spring Tempered

Available on special order:
Teeth not listed, different bore size.



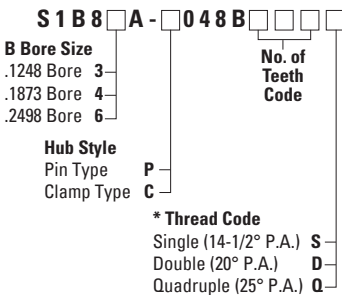
A Dia.	B Bore +.0005 -.0000	C Dia. +.000 -.003	Screw Size
.312	.1248	.188	#2-56
.375	.1873	.250	#4-40
.500	.2498	.312	#6-32

> MATCHING WORMS

No. of Teeth Code	No. of Teeth	P.D.
070	70	1.4583
072	72	1.5000
080	80	1.6667
090	90	1.8750
096	96	2.0000
100	100	2.0833

* Thread	Worms
Single (14-1/2° P.A.)	S1D93Z-P048SS
	S1D94Z-P048SS
Double (20° P.A.)	S1D93Z-P048SD
	S1D94Z-P048SD
Quadruple (25° P.A.)	S1D93Z-P048SQ
	S1D94Z-P048SQ

INCH COMPONENT CATALOG NUMBER



Example: S1B84A-P048B080D is a .1873 Bore Pin Type Anti-Backlash Worm Gear with 80 Teeth, Double Threaded.

1-211
D820

REVISED:
6/5/23

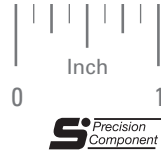


ANTI-BACKLASH WORM GEARS • 64 PITCH



AGMA 10
 RIGHT-HAND
 SINGLE, DOUBLE & QUADRUPLE THREAD
 1/8, 3/16 & 1/4 BORE
 14-1/2° PRESSURE ANGLE

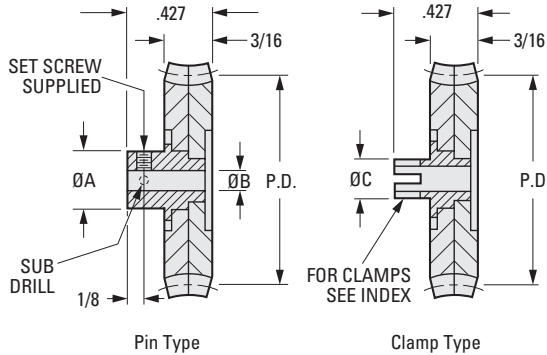
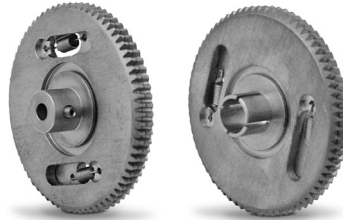
PHONE: 516.328.3300 • FAX: 516.326.8827 • WWW.SDP-SI.COM



> MATERIAL:

- Gears** - Bronze QQ-B-637 Alloy 464
- Hubs** - 303 Stainless Steel
- Springs** - 302 Stainless Steel, Spring Tempered

Available on request:
 Teeth not listed, different bore size.



A Dia.	B Bore +.0005 -.0000	C Dia. +.000 -.003	Screw Size
.312	.1248	.188	#2-56
.375	.1873	.250	#4-40
.500	.2498	.312	#6-32

> MATCHING WORMS

See page 1-208 for details.

No. of Teeth Code	No. of Teeth	P.D.
096	96	1.5000
100	100	1.5625
110	110	1.7187
120	120	1.8750
130	130	2.0312
140	140	2.1875

* Thread	Worms
Single	S1D93Z-P064SS
	S1D94Z-P064SS
	S1D96Z-P064SS
Double	S1D93Z-P064SD
	S1D94Z-P064SD
	S1D96Z-P064SD
Quadruple	S1D93Z-P064SQ
	S1D94Z-P064SQ
	S1D96Z-P064SQ

INCH COMPONENT CATALOG NUMBER

S1B8 A - 064B

B Bore Size
 .1248 Bore 3
 .1873 Bore 4
 .2498 Bore 6

No. of Teeth Code

Hub Style

Pin Type **P**
 Clamp Type **C**

*** Thread Code**
 Single **S**
 Double **D**
 Quadruple **Q**

Example: S1B86A-C064B120Q is a .2498 Bore Clamp Type Anti-Backlash Worm Gear with 120 Teeth, Quadruple Threaded.

1-209
 D820

REVISED:
 6/5/23

- I
- R
- T
- 1
- 2
- 3
- 4
- 5
- 6
- 7
- 8
- 9
- 10
- 11
- 12
- 13
- 14
- 15
- 16