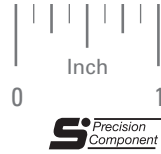


ANTI-BACKLASH WORM GEARS • 64 PITCH



AGMA 10
 RIGHT-HAND
 SINGLE, DOUBLE & QUADRUPLE THREAD
 1/8, 3/16 & 1/4 BORE
 14-1/2° PRESSURE ANGLE

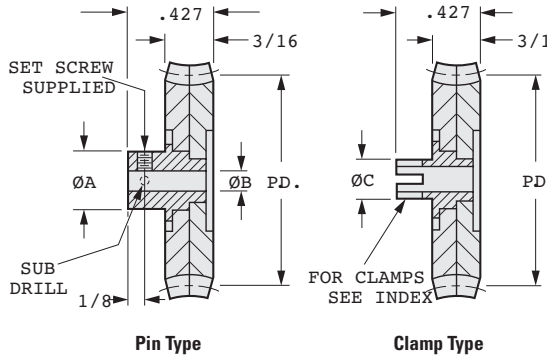
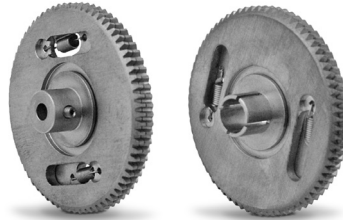
PHONE: 516.328.3300 • FAX: 516.326.8827 • WWW.SDP-SI.COM



> MATERIAL:

- Gears** - Bronze QQ-B-637 Alloy 464
- Hubs** - 303 Stainless Steel
- Springs** - 302 Stainless Steel, Spring Tempered

Available on request:
 Teeth not listed, different bore size.



A Dia.	B Bore +.0005 -.0000	C Dia. +.000 -.003	Screw Size
.312	.1248	.188	#2-56
.375	.1873	.250	#4-40
.500	.2498	.312	#6-32

> MATCHING WORMS

See page 1-208 for details.

No. of Teeth Code	No. of Teeth	P.D.
096	96	1.5000
100	100	1.5625
110	110	1.7187
120	120	1.8750
130	130	2.0312
140	140	2.1875

* Thread	Worms
Single	S1D93Z-P064SS
	S1D94Z-P064SS
	S1D96Z-P064SS
Double	S1D93Z-P064SD
	S1D94Z-P064SD
	S1D96Z-P064SD
Quadruple	S1D93Z-P064SQ
	S1D94Z-P064SQ
	S1D96Z-P064SQ

INCH COMPONENT CATALOG NUMBER

S1B8 A - 064B

B Bore Size
 .1248 Bore 3
 .1873 Bore 4
 .2498 Bore 6

Hub Style

Pin Type P
 Clamp Type C

*** Thread Code**
 Single S
 Double D
 Quadruple Q

Example: S1B86A-C064B120Q is a .2498 Bore Clamp Type Anti-Backlash Worm Gear with 120 Teeth, Quadruple Threaded.

1-209
 D820

REVISED:
 6/5/23

