

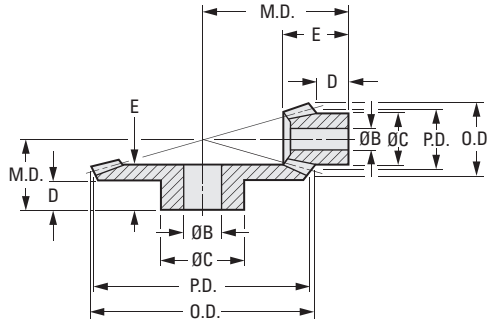
20° PRESSURE ANGLE

PHONE: 516.328.3300 • FAX: 516.326.8827 • WWW.SDP-SI.COM

> MATERIAL:

Brass or Steel (See *)

Gears of different pairs will not run together.



INCH COMPONENT

Catalog Number	No. of Teeth	Ratio	P.D.	O.D.	B Bore +0.002 -0.006	E Length	C Hub Dia.	D Hub Proj.	M.D.
Pitch 48									
A 1B 3-Y48018	18	1:2	.375	.410	.1250	.328	9/32	.195	.600
A 1B 3-Y48036	36		.750	.760	.1875	.245	7/16	.190	.425
* A 1C 3-Y48018	18		.375	.422	.1250	.328	9/32	13/64	.594
* A 1C 3-Y48036A	36		.750	.760	.1875	.250	7/16	3/16	.437
* A 1C 3-Y48036B		.2500							
A 1B 3-Y48012	12	1:3	.250	.290	.1250	.281	7/32	.187	.562
A 1B 3-Y48036A	36		.750	.755	.1875	.250	7/16		.375
* A 1C 3-Y48012	12		.250	.290	.1250	.281	7/32		.562
* A 1C 3-Y48036C	36		.750	.765	.1875	.250	7/16	3/16	.375
* A 1C 3-Y48036D		.2500							
A 1B 3-Y48012A	12	1:4	.250	.305	.1250	.340	7/32	.210	.718
A 1B 3-Y48048	48		1.000	1.005	.1875	.250	5/8	.180	.400
Pitch 32									
A 1B 3-Y32024	24	1:1.3	.750	.795	.1875	.440	9/16	.230	.765
A 1B 3-Y32032	32		1.000	1.035	.2500	.406		.250	.720
A 1B 3-Y32016	16	1:2	.500	.560	.1875	.375	3/8	.187	
A 1B 3-Y32032A	32		1.000	1.017			9/16	.250	.582
A 1B 3-Y32016A	16	1:3	.500	.575	.525	7/16	.260	1.025	
A 1B 3-Y32048	48		1.500	1.515	.2500	.440	5/8	.320	.656
A 1B 3-Y32016B	16	1:4	.500	.560	.1875	.485	3/8	.230	1.250
A 1B 3-Y32064	64		2.000	2.012	.3125	.440	1-1/32	.318	.685
Pitch 24									
A 1B 3-Y24018	18	1:2	.750	.823	.1875	.531	9/16	.265	1.055
A 1B 3-Y24036	36		1.500	1.535	.2500	.452	11/16	.312	.780
A 1B 3-Y24024	24		1.000	1.100	.641			.290	1.375
A 1B 3-Y24048	48		2.000	2.035	.3125	.500	5/8	.325	.932

* These gears are made of Steel.