

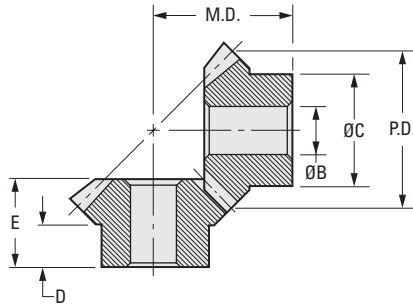
20° PRESSURE ANGLE

PHONE: 516.328.3300 • FAX: 516.326.8827 • WWW.SDP-SI.COM

> MATERIAL:

- A - Nylon
- B - Nylon (Mineral Filled)
- C - Acetal

Sold as Set



INCH COMPONENT

Catalog Number	Mat'l. Code	No. of Teeth	P.D.	O.D. Ref.	B Bore +.001 -.002	E Length	C Hub Dia.	D Hub Proj.	M.D.
48 Pitch									
A 1M 4-Y48015	C	15	.313	.350	.125	7/32	1/4	1/8	5/16
A 1M 4-Y48018	A	18	.375	.404		9/32	21/64	3/16	13/32
A 1M 4-Y48024	A	24	.500	.529	.187	3/8	3/8	1/4	17/32
32 Pitch									
A 1M 4-Y32024	A	24	.750	.800	.187	13/32	1/2	3/16	11/16
A 1M 4-Y32016		16	.500	.550		11/32	13/32		1/2
24 Pitch									
A 1M 4-Y24024	A	24	1.000	1.045	.253	9/16	5/8	3/16	7/8
A 1M 4-Y24030		30	1.250	1.310	.250	37/64		1-1/32	
A 1M 4-Y24036		36	1.500	1.560	.312	39/64	11/16	5/16	1-3/16
16 Pitch									
A 1M 4-Y16016	A	16	1.000	1.090	.375	3/4	3/4	7/16	1-1/16
A 1M 4-Y16032	B	32	2.000	2.088	.500	7/8	1-1/4	3/8	1-9/16