

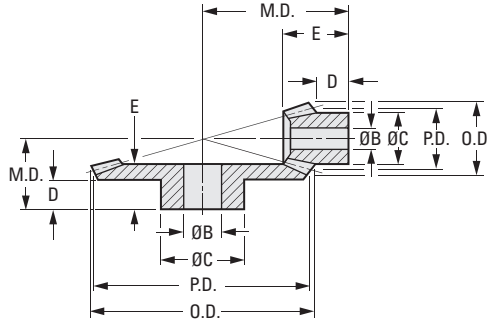
5/16 FACE WIDTH
20° PRESSURE ANGLE

PHONE: 516.328.3300 • FAX: 516.326.8827 • WWW.SDP-SI.COM

> MATERIAL:

Brass or Steel, Medium Carbon (See *)

Gears of different pairs will not run together.
Only mate gears of the same material.



INCH COMPONENT

Catalog Number	No. of Teeth	Ratio	P.D.	O.D. Ref.	B Bore +.001 -.000	E Length Ref.	C Hub Dia.	D Hub Proj.	M.D.	Weight lbs
A 1B 4-Y16020	20	1:1	1.250	1.338	.3750	.872	1	1/2	1.250	.19
*A 1C 4-Y16020				1.400						.17
A 1B 3-Y16020	40	1:2	2.500	2.537	.4375	.666	1-1/4	7/16	1.250	.22
A 1B 3-Y16040				1.400						.43
*A 1C 3-Y16020	20	1:2	1.250	1.400	.3750	.933	1	9/16	1.875	.20
*A 1C 3-Y16040	40			2.537						.666
A 1B 3-Y16020A	20	1:3	1.250	1.417	.3750	.944	1	.58	2.500	.23
A 1B 3-Y16060	60			3.773						.5002
*A 1C 3-Y16020A	20	1:3	1.250	1.417	.3750	.944	1	.58	2.500	.21
*A 1C 3-Y16060	60			3.773						.5002

* These gears are made of Steel.