

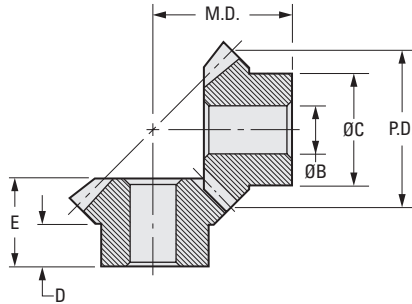
20° PRESSURE ANGLE

PHONE: 516.328.3300 • FAX: 516.326.8827 • WWW.SDP-SI.COM

> MATERIAL:

Brass or Steel

Gears other than standard stock sizes are available on special order.



INCH COMPONENT

Catalog Number	Pitch	No. of Teeth	P.D.	B Bore +.0002 -.0006	F Face Width	E Length	C Hub Dia.	D Hub Proj.	M.D.
Brass									
A 1B 4-Y48015	48	15	.313	.1250	3/32	7/32	1/4	1/8	.312
A 1B 4-Y48018		18	.375		5/64	9/32	5/16	3/16	.406
A 1B 4-Y32016	32	16	.500	.1875	1/8	11/32	13/32	3/16	.500
A 1B 4-Y32024		24	.750		5/32	27/64	1/2	1/4	.688
A 1B 4-Y24024	24	24	1.000	.2500	7/32	9/16	5/8	9/32	.906
A 1B 4-Y24030		30	1.250		37/64	1.031			
A 1B 4-Y24036		36	1.500		.3125	1/4	39/64	11/16	5/16
Steel									
A 1C 4-Y48018	48	18	.375	.1250	.080	9/32	5/16	3/16	.406
A 1C 4-Y32016	32	16	.500	.1875	.120	11/32	13/32	3/16	.500
A 1C 4-Y32024		24	.750		.140	27/64	1/2	1/4	.688
A 1C 4-Y24018	24	18	1.000	.2500	.156	9/16	5/8	3/8	.813
A 1C 4-Y24024		24	1.000		.200	9/32		.906	
A 1C 4-Y20012		12	.600		.120	31/64	1/2	5/16	.671
A 1C 4-Y20018	20	18	.900	.3125	.140	5/8	5/8	13/32	.953
A 1C 4-Y20020		20	1.000	.3750	.234	13/16	3/4	1/2	1.125
A 1C 4-Y20025		25	1.250	.3750	.250	3/4	1	7/16	1.188

