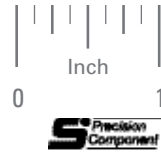


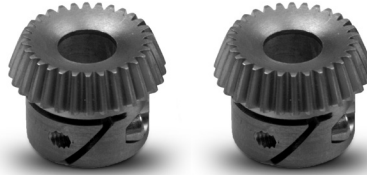
AGMA 10
1/4 BORE
PRECISION MATCHED SETS
20° PRESSURE ANGLE

PHONE: 516.328.3300 • FAX: 516.326.8827 • WWW.SDP-SI.COM



> MATERIAL:

303 Stainless Steel
2024-T4 or T351 Aluminum Alloy,
anodized before cutting

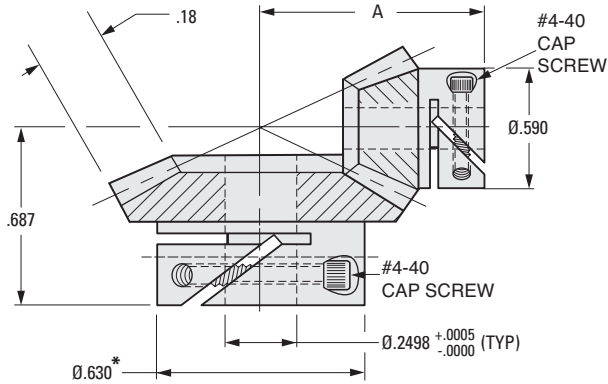


> SPECIFICATIONS:

Socket Head Cap Screw Supplied.
Fairloc® hubs require controlled
shaft tolerances. Suggested
clearance fit between the bore and
the shaft is .0001/.0008.

Available on special order:
Teeth not listed, different pitch,
bore size, passivation.

Sold as Set



NEW

2

3

4

5

6

7

8

9

10

11

12

13

14

15

16

INCH COMPONENT

Catalog Number	Ratio	No. of Teeth	P.D.	A	Material
*S13F6Z-48S30S030	1:1	30 30	.625	.687	Stainless Steel
*S13F6Z-48A30A030	1:1	30 30	.625	.687	Aluminum
*S13F6Z-48S30A030	1:1	30 30	.625	.687	Stainless Steel Aluminum
S13F6Z-48S30S045	1:1.5	30 45	.625 .9375	.812	Stainless Steel
S13F6Z-48A30A045	1:1.5	30 45	.625 .9375	.812	Aluminum
S13F6Z-48S30A045	1:1.5	30 45	.625 .9375	.812	Stainless Steel Aluminum
S13F6Z-48S30S060	1:2	30 60	.625 1.250	.937	Stainless Steel
S13F6Z-48A30A060	1:2	30 60	.625 1.250	.937	Aluminum
S13F6Z-48S30A060	1:2	30 60	.625 1.250	.937	Stainless Steel Aluminum
S13F6Z-48S30S090	1:3	30 90	.625 1.875	1.250	Stainless Steel
S13F6Z-48A30A090	1:3	30 90	.625 1.875	1.250	Aluminum
S13F6Z-48S30A090	1:3	30 90	.625 1.875	1.250	Stainless Steel Aluminum
S13F6Z-48S30S120	1:4	30 120	.625 2.500	1.531	Stainless Steel
S13F6Z-48A30A120	1:4	30 120	.625 2.500	1.531	Aluminum
S13F6Z-48S30A120	1:4	30 120	.625 2.500	1.531	Stainless Steel Aluminum

*Set includes 2 miter gears with hub Ø.590.

1-196
D820

REVISED:
6/14/23