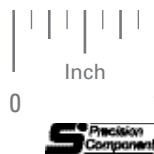


AGMA 10  
3/16" BORE  
PRECISION MATCHED SETS  
20° PRESSURE ANGLE

PHONE: 516.328.3300 • FAX: 516.326.8827 • WWW.SDP-SI.COM



**> MATERIAL:**

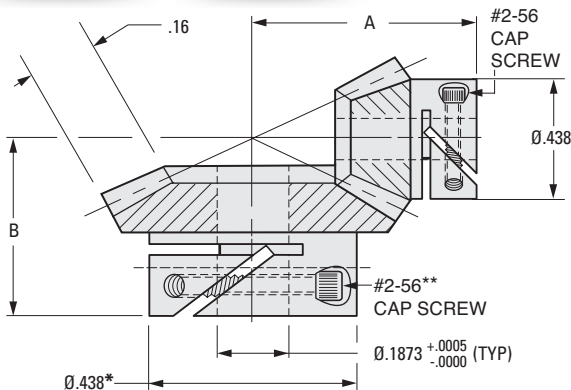
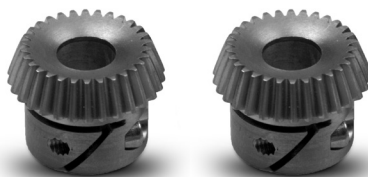
303 Stainless Steel  
2024-T4 or T351 Aluminum Alloy,  
anodized before cutting

**> SPECIFICATIONS:**

Socket Head Cap Screw Supplied.  
Fairloc® hubs require controlled  
shaft tolerances. Suggested  
clearance fit between the bore and  
the shaft is .0001/.0006.

Available on special order:  
Teeth not listed, different pitch,  
bore size, passivation.

Sold as Set



**INCH COMPONENT**

Catalog Number	Ratio	No. of Teeth	P.D.	A	B	Material
S13F4Z-64S32S032	1:1	32 32	.500	.562	.562	Stainless Steel
S13F4Z-64A32A032	1:1	32 32	.500	.562	.562	Aluminum
S13F4Z-64S32A032	1:1	32 32	.500	.562	.562	Stainless Steel Aluminum
S13F4Z-64S32S048	1:1.5	32 48	.500 .750	.656	.562	Stainless Steel
S13F4Z-64A32A048	1:1.5	32 48	.500 .750	.656	.562	Aluminum
S13F4Z-64S32A048	1:1.5	32 48	.500 .750	.656	.562	Stainless Steel Aluminum
S13F4Z-64S32S064	1:2	32 64	.500 1.000	.750	.562	Stainless Steel
S13F4Z-64A32A064	1:2	32 64	.500 1.000	.750	.562	Aluminum
S13F4Z-64S32A064	1:2	32 64	.500 1.000	.750	.562	Stainless Steel Aluminum
*S13F4Z-64S32S096	1:3	32 96	.500 1.500	1.000	.619	Stainless Steel
*S13F4Z-64A32A096	1:3	32 96	.500 1.500	1.000	.619	Aluminum
*S13F4Z-64S32A096	1:3	32 96	.500 1.500	1.000	.619	Stainless Steel Aluminum
*S13F4Z-64S32S128	1:4	32 128	.500 2.000	1.250	.619	Stainless Steel
*S13F4Z-64A32A128	1:4	32 128	.500 2.000	1.250	.619	Aluminum
*S13F4Z-64S32A128	1:4	32 128	.500 2.000	1.250	.619	Stainless Steel Aluminum

\* For 1:3 and 1:4 ratios, the larger gear has a hub diameter of .578.

\*\* For 1:3 and 1:4 ratios, the size of the cap screw is #4-40 to provide a stronger grip.

1-195  
D820

REVISED:  
6/14/23

I

R

T

**NEW**

2

3

4

5

6

7

8

9

10

11

12

13

14

15

16