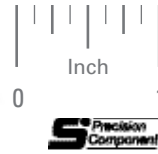


FAIRLOC® HUB MITER AND BEVEL GEARS • 72 PITCH



AGMA 10
1/8 BORE
PRECISION MATCHED SETS
20° PRESSURE ANGLE

PHONE: 516.328.3300 • FAX: 516.326.8827 • WWW.SDP-SI.COM



> MATERIAL:

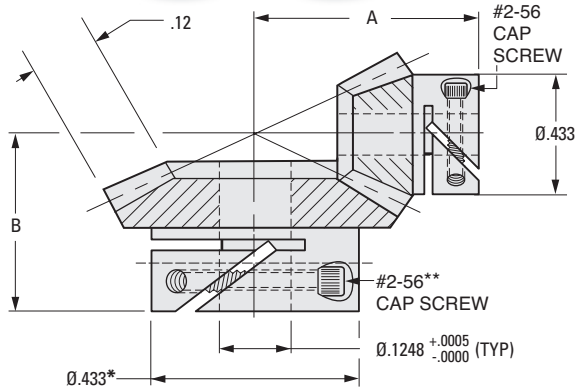
303 Stainless Steel
2024-T4 or T351 Aluminum Alloy,
anodized before cutting

> SPECIFICATIONS:

Socket Head Cap Screw Supplied.
Fairloc® hubs require controlled
shaft tolerances. Suggested
clearance fit between the bore and
the shaft is .0001/.0008.

Available on special order:
Teeth not listed, different pitch,
bore size, passivation.

Sold as Set



INCH COMPONENT

Catalog Number	Ratio	No. of Teeth	P.D.	A	B	Material
S13F3Z-72S36S036	1:1	36	.500	.531	.531	Stainless Steel
S13F3Z-72A36A036	1:1	36	.500	.531	.531	Aluminum
S13F3Z-72S36A036	1:1	36	.500	.531	.531	Stainless Steel Aluminum
S13F3Z-72S36S054	1:1.5	36	.500	.640	.531	Stainless Steel
S13F3Z-72A36A054	1:1.5	36	.500	.640	.531	Aluminum
S13F3Z-72S36A054	1:1.5	36	.500	.640	.531	Stainless Steel Aluminum
S13F3Z-72S36S072	1:2	36	.500	.750	.531	Stainless Steel
S13F3Z-72A36A072	1:2	36	.500	.750	.531	Aluminum
S13F3Z-72S36A072	1:2	36	.500	.750	.531	Stainless Steel Aluminum
*S13F3Z-72S36S108	1:3	36	.500	1.000	.593	Stainless Steel
		108	1.500			
*S13F3Z-72A36A108	1:3	36	.500	1.000	.593	Aluminum
		108	1.500			
*S13F3Z-72S36A108	1:3	36	.500	1.000	.593	Stainless Steel Aluminum
		108	1.500			
*S13F3Z-72S36S144	1:4	36	.500	1.250	.593	Stainless Steel
		144	2.000			
*S13F3Z-72A36A144	1:4	36	.500	1.250	.593	Aluminum
		144	2.000			
*S13F3Z-72S36A144	1:4	36	.500	1.250	.593	Stainless Steel Aluminum
		144	2.000			

* For 1:3 and 1:4 ratios, the larger gear has a hub diameter of .551.

** For 1:3 and 1:4 ratios, the size of the cap screw is #4-40 to provide a stronger grip.

1-194
D820

REVISED:
6/19/23

1

R

T

NEW

2

3

4

5

6

7

8

9

10

11

12

13

14

15

16