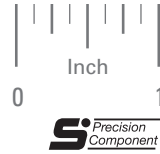
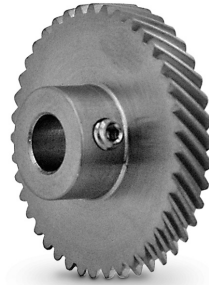


AGMA 10
 3/16 FACE
 1/4 BORE
 RIGHT- AND LEFT-HAND
 45° HELICAL ANGLE
 20° PRESSURE ANGLE

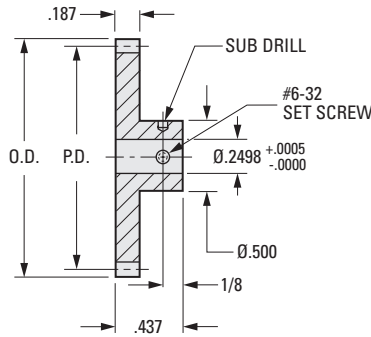
PHONE: 516.328.3300 • FAX: 516.326.8827 • WWW.SDP-SI.COM



> MATERIAL:

303 Stainless Steel
 2024-T4 or -T351 Aluminum Alloy,
 anodized before cutting.

Available on special order:
 Teeth not listed, different bore and/or
 material, passivation for Stainless Steel.



INCH COMPONENT				
Catalog Number		No. of Teeth	P.D.	O.D.
Right-Hand	Left-Hand			
303 Stainless Steel				
S1R86Z-P048S020	S1L86Z-P048S020	20	.5892	.631
S1R86Z-P048S025	S1L86Z-P048S025	25	.7365	.778
S1R86Z-P048S030	S1L86Z-P048S030	30	.8838	.925
S1R86Z-P048S035	S1L86Z-P048S035	35	1.0311	1.072
S1R86Z-P048S040	S1L86Z-P048S040	40	1.1784	1.220
S1R86Z-P048S045	S1L86Z-P048S045	45	1.3258	1.367
S1R86Z-P048S050	S1L86Z-P048S050	50	1.4730	1.514
S1R86Z-P048S060	S1L86Z-P048S060	60	1.7676	1.809
S1R86Z-P048S070	S1L86Z-P048S070	70	2.0622	2.104
S1R86Z-P048S080	S1L86Z-P048S080	80	2.3568	2.398
S1R86Z-P048S090	S1L86Z-P048S090	90	2.6516	2.693
S1R86Z-P048S100	S1L86Z-P048S100	100	2.9460	2.987
2024 Aluminum, Anodized				
S1R86Z-P048A020	S1L86Z-P048A020	20	.5892	.631
S1R86Z-P048A025	S1L86Z-P048A025	25	.7365	.778
S1R86Z-P048A030	S1L86Z-P048A030	30	.8838	.925
S1R86Z-P048A035	S1L86Z-P048A035	35	1.0311	1.072
S1R86Z-P048A040	S1L86Z-P048A040	40	1.1784	1.220
S1R86Z-P048A045	S1L86Z-P048A045	45	1.3258	1.367
S1R86Z-P048A050	S1L86Z-P048A050	50	1.4730	1.514
S1R86Z-P048A060	S1L86Z-P048A060	60	1.7676	1.809
S1R86Z-P048A070	S1L86Z-P048A070	70	2.0622	2.104
S1R86Z-P048A080	S1L86Z-P048A080	80	2.3568	2.398
S1R86Z-P048A090	S1L86Z-P048A090	90	2.6516	2.693
S1R86Z-P048A100	S1L86Z-P048A100	100	2.9460	2.987

