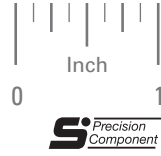


MINI-LASH GEARS • 64 PITCH



AGMA 10
 .104 FACE
 1/8, 3/16 & 1/4 BORE
 20° PRESSURE ANGLE

PHONE: 516.328.3300 • FAX: 516.326.8827 • WWW.SDP-SI.COM



> MATERIAL:

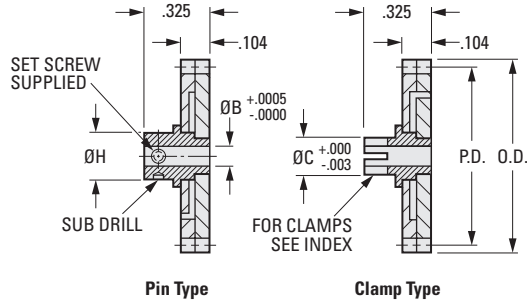
- Gears** - 303 Stainless Steel
 2024-T4 or -T351 Aluminum Alloy,
 anodized before cutting.
- Hubs** - 303 Stainless Steel
- Springs** - 302 Stainless Steel, Torsion Type,
 Spring Temper



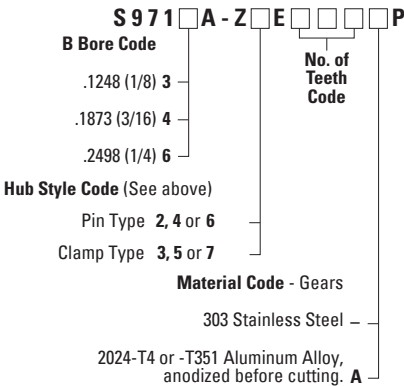
> HUB STYLE: PIN OR CLAMP TYPE

B Bore Selection		H Pin Type		C Clamp Type	
Code	Size	Code	Dia.	Code	Dia.
3	.1248 (1/8)	2	.312	3	.187
4	.1873 (3/16)	4	.375	5	.250
6	.2498 (1/4)	6	.437	7	.312

Available on special order:
 14-1/2° P.A., teeth not listed, different
 bore size, passivation for Stainless Steel.



INCH COMPONENT CATALOG NUMBER



No. of Teeth Code	No. of Teeth	P.D.	O.D.
032	32	.5000	.531
034	34	.5312	.563
036	36	.5625	.594
038	38	.5937	.625
040	40	.6250	.656
042	42	.6562	.688
044	44	.6875	.719
046	46	.7187	.750
048	48	.7500	.781
050	50	.7812	.813
052	52	.8125	.844
054	54	.8437	.875
056	56	.8750	.906
058	58	.9062	.938
060	60	.9375	.969
062	62	.9687	1.000
064	64	1.0000	1.031
066	66	1.0312	1.063
068	68	1.0625	1.094
070	70	1.0937	1.125
072	72	1.1250	1.156
074	74	1.1562	1.188
076	76	1.1875	1.219
078	78	1.2187	1.250

Example:
 S9713A-Z3E048-P is a Stainless Steel Clamp Type
 Mini-Lash Gear with 48 Teeth and .1248 Bore.

1-173
 D820

REVISED:
 05/30/23

