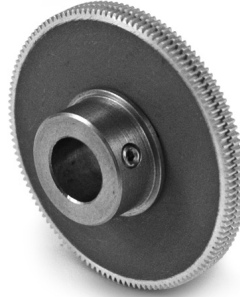
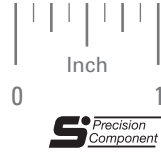


# MINI-LASH GEARS • 72 PITCH



AGMA 10  
 .104 FACE  
 1/8, 3/16 & 1/4 BORE  
 20° PRESSURE ANGLE

PHONE: 516.328.3300 • FAX: 516.326.8827 • WWW.SDP-SI.COM



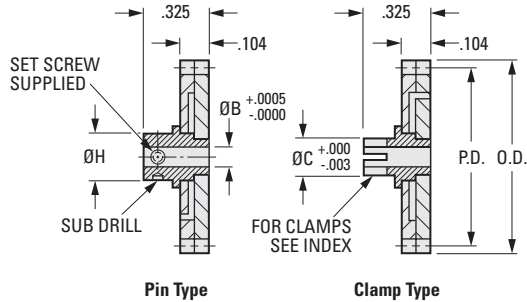
### > MATERIAL:

- Gears** - 303 Stainless Steel  
 2024-T4 or -T351 Aluminum Alloy,  
 anodized before cutting.
- Hubs** - 303 Stainless Steel
- Springs** - 302 Stainless Steel, Torsion Type,  
 Spring Temper

### > HUB STYLE: PIN OR CLAMP TYPE

B Bore Selection		H Pin Type		C Clamp Type	
Code	Size	Code	Dia.	Code	Dia.
3	.1248 (1/8)	2	.312	3	.187
4	.1873 (3/16)	4	.375	5	.250
6	.2498 (1/4)	6	.437	7	.312

Available on special order:  
 14-1/2° P.A., teeth not listed, different  
 bore size, passivation for Stainless Steel.



### INCH COMPONENT CATALOG NUMBER

S 971  A - Z  F    P

B Bore Code

- .1248 (1/8) 3
- .1873 (3/16) 4
- .2498 (1/4) 6

No. of  
Teeth  
Code

Hub Style Code (See above)

- Pin Type 2, 4 or 6
- Clamp Type 3, 5 or 7

Material Code - Gears

- 303 Stainless Steel
- 2024-T4 or -T351 Aluminum  
 Alloy, anodized before cutting. A

Example:

S9713A-Z2F054-P is a Stainless Steel Pin Type  
 Mini-Lash Gear with 54 Teeth and .1248 Bore.

No. of Teeth Code	No. of Teeth	P.D.	O.D.
036	36	.5000	.528
038	38	.5278	.556
040	40	.5555	.583
042	42	.5833	.611
044	44	.6111	.639
045	45	.6250	.653
046	46	.6389	.667
048	48	.6667	.694
050	50	.6944	.722
052	52	.7222	.750
054	54	.7500	.778
056	56	.7778	.806
058	58	.8055	.833
060	60	.8333	.861
062	62	.8611	.889
064	64	.8889	.917
066	66	.9167	.944
068	68	.9444	.972
070	70	.9722	1.000
072	72	1.0000	1.028
076	76	1.0555	1.083
080	80	1.1111	1.139
084	84	1.1667	1.194
088	88	1.2222	1.250

1-171  
D820

REVISED:  
05/30/23

