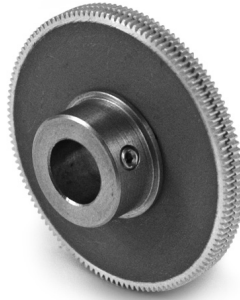
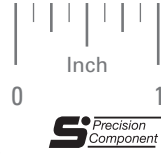


MINI-LASH GEARS • 80 PITCH



AGMA 10
 .104 FACE
 1/8, 3/16 & 1/4 BORE
 20° PRESSURE ANGLE

PHONE: 516.328.3300 • FAX: 516.326.8827 • WWW.SDP-SI.COM



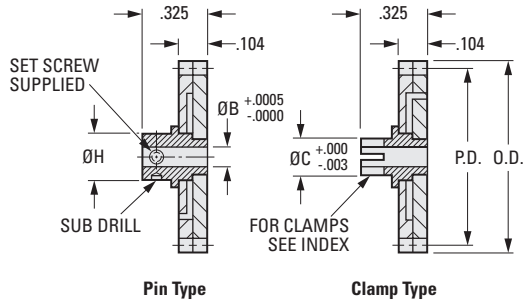
> MATERIAL:

- Gears** - 303 Stainless Steel
 2024-T4 or -T351 Aluminum Alloy,
 anodized before cutting.
- Hubs** - 303 Stainless Steel
- Springs** - 302 Stainless Steel, Torsion Type,
 Spring Temper

> HUB STYLE: PIN OR CLAMP TYPE

B Bore Selection		H Pin Type		C Clamp Type	
Code	Size	Code	Dia.	Code	Dia.
3	.1248 (1/8)	2	.312	3	.187
4	.1873 (3/16)	4	.375	5	.250
6	.2498 (1/4)	6	.437	7	.312

Available on special order:
 14-1/2° P.A., teeth not listed, different
 bore size, passivation for Stainless Steel.



INCH COMPONENT CATALOG NUMBER

S971 A-Z G P

B Bore Code

- .1248 (1/8) 3
- .1873 (3/16) 4
- .2498 (1/4) 6

Hub Style Code (See above)

- Pin Type 2, 4 or 6
- Clamp Type 3, 5 or 7

Material Code - Gears

- 303 Stainless Steel
- 2024-T4 or -T351 Aluminum Alloy, anodized before cutting. A

No. of Teeth Code

No. of Teeth Code	No. of Teeth	P.D.	O.D.
040	40	.5000	.525
042	42	.5250	.550
044	44	.5500	.575
045	45	.5625	.588
046	46	.5750	.600
048	48	.6000	.625
050	50	.6250	.650
052	52	.6500	.675
054	54	.6750	.700
055	55	.6875	.713
056	56	.7000	.725
058	58	.7250	.750
060	60	.7500	.775
062	62	.7750	.800
064	64	.8000	.825
065	65	.8125	.838
066	66	.8250	.850
070	70	.8750	.900
075	75	.9375	.963
080	80	1.0000	1.025
085	85	1.0625	1.088
090	90	1.1250	1.150
095	95	1.1875	1.213
098	98	1.2250	1.250

Example:
 S9713A-Z3G048-P is a Stainless Steel Clamp Type
 Mini-Lash Gear with 48 Teeth and .1248 Bore.

1-169
 D820

REVISED:
 05/26/23

- I
- R
- T
- 1
- 2
- 3
- 4
- 5
- 6
- 7
- 8
- 9
- 10
- 11
- 12
- 13
- 14
- 15
- 16