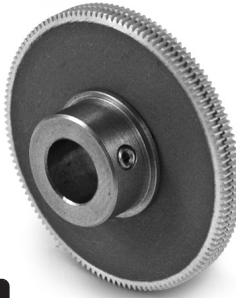
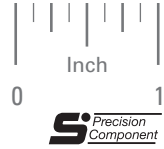


# MINI-LASH GEARS • 96 PITCH



AGMA 10  
 .104 FACE  
 1/8, 3/16 & 1/4 BORE  
 20° PRESSURE ANGLE

PHONE: 516.328.3300 • FAX: 516.326.8827 • WWW.SDP-SI.COM



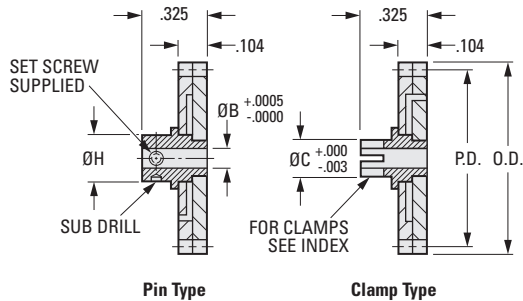
### > MATERIAL:

- Gears** - 303 Stainless Steel  
 2024-T4 or -T351 Aluminum Alloy,  
 anodized before cutting.
- Hubs** - 303 Stainless Steel
- Springs** - 302 Stainless Steel, Torsion Type,  
 Spring Temper

### > HUB STYLE: PIN OR CLAMP TYPE

B Bore Selection		H Pin Type		C Clamp Type	
Code	Size	Code	Dia.	Code	Dia.
3	.1248 (1/8)	2	.312	3	.187
4	.1873 (3/16)	4	.375	5	.250
6	.2498 (1/4)	6	.437	7	.312

Available on special order:  
 14-1/2° P.A., teeth not listed, different  
 bore size, passivation for Stainless Steel.



### INCH COMPONENT CATALOG NUMBER

S971  A-Z  H    P

B Bore Code

- .1248 (1/8) 3
- .1873 (3/16) 4
- .2498 (1/4) 6

No. of  
Teeth  
Code

Hub Style Code (See above)

- Pin Type 2, 4 or 6
- Clamp Type 3, 5 or 7

Material Code - Gears

- 303 Stainless Steel
- 2024-T4 or -T351 Aluminum  
 Alloy, anodized before cutting. A

No. of Teeth Code	No. of Teeth	P.D.	O.D.
048	48	.5000	.521
050	50	.5208	.542
052	52	.5417	.563
054	54	.5625	.583
056	56	.5833	.604
058	58	.6042	.625
060	60	.6250	.646
062	62	.6458	.667
064	64	.6667	.688
066	66	.6875	.708
068	68	.7083	.729
070	70	.7292	.750
072	72	.7500	.771
074	74	.7708	.792
080	80	.8333	.854
084	84	.8750	.896
090	90	.9375	.958
096	96	1.0000	1.021
100	100	1.0417	1.063
102	102	1.0625	1.083
108	108	1.1250	1.146
110	110	1.1458	1.167
114	114	1.1875	1.208
118	118	1.2292	1.250

Example:  
 S9713A-Z2H064-P is a Stainless Steel Pin Type  
 Mini-Lash Gear with 64 Teeth and .1248 Bore.

1-167  
 D820

REVISED:  
 05/23/23

