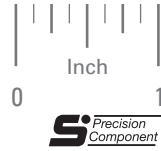


ANTI-BACKLASH GEARS • 48 PITCH



AGMA 10
 .104 FACE
 1/8, 3/16 & 1/4 BORE
 20° PRESSURE ANGLE

PHONE: 516.328.3300 • FAX: 516.326.8827 • WWW.SDP-SI.COM

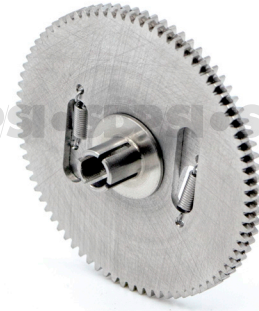


> MATERIAL:

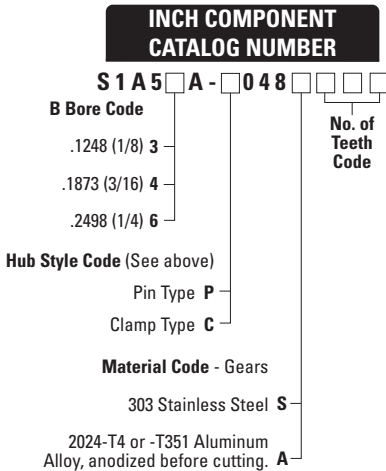
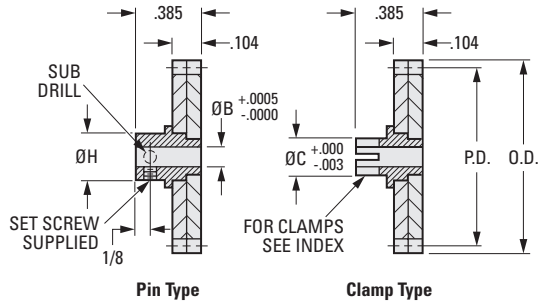
- Gears** - 303 Stainless Steel
 2024-T4 or -T351 Aluminum Alloy,
 anodized before cutting.
- Hubs** - 303 Stainless Steel
- Springs** - 302 Stainless Steel, Spring Temper

> HUB STYLE: PIN OR CLAMP TYPE

B Bore Selection		H Pin Type		C Clamp Type	
Code	Size	Code	Dia.	Code	Dia.
3	.1248 (1/8)	P	.31	C	.188
4	.1873 (3/16)	P	.37	C	.250
6	.2498 (1/4)	P	.50	C	.312



Available on special order:
 14-1/2° P.A., teeth not listed, different
 bore size, passivation for Stainless Steel.



No. of Teeth Code	No. of Teeth	P.D.	O.D.
065	65	1.3542	1.396
066	66	1.3750	1.417
068	68	1.4167	1.458
070	70	1.4583	1.500
072	72	1.5000	1.542
074	74	1.5417	1.583
075	75	1.5625	1.604
080	80	1.6667	1.708
084	84	1.7500	1.792
085	85	1.7708	1.813
090	90	1.8750	1.917
095	95	1.9792	2.021
096	96	2.0000	2.042
100	100	2.0833	2.125
105	105	2.1875	2.229
110	110	2.2917	2.333
115	115	2.3958	2.438
120	120	2.5000	2.542
125	125	2.6042	2.646
130	130	2.7083	2.750
132	132	2.7500	2.792
144	144	3.0000	3.042

Example:
 S1A53A-P048S072 is a Stainless Steel Pin Type
 Anti-Backlash Gear with 72 Teeth and .1248 Bore.

