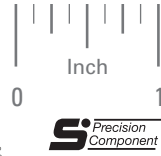
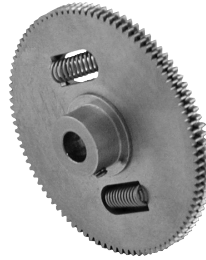


ANTI-BACKLASH GEARS • 64 PITCH



AGMA 10
 .104 FACE
 1/8, 3/16 & 1/4 BORE
 20° PRESSURE ANGLE

PHONE: 516.328.3300 • FAX: 516.326.8827 • WWW.SDP-SI.COM



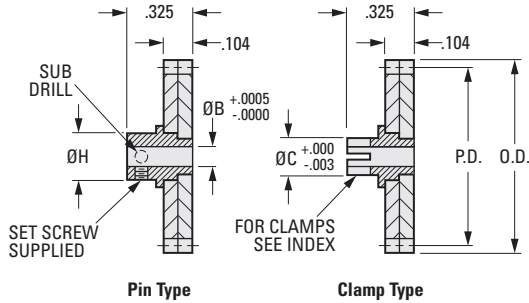
> MATERIAL:

- Gears** - 303 Stainless Steel
 2024-T4 or -T351 Aluminum Alloy,
 anodized before cutting.
- Hubs** - 303 Stainless Steel
- Springs** - 302 Stainless Steel, Spring Temper

> HUB STYLE: PIN OR CLAMP TYPE

B Bore Selection		H Pin Type		C Clamp Type	
Code	Size	Code	Dia.	Code	Dia.
3	.1248 (1/8)	2	.312	3	.187
4	.1873 (3/16)	4	.375	5	.250
6	.2498 (1/4)	6	.437	7	.312

Available on special order:
 14-1/2° P.A., teeth not listed, different
 bore size, passivation for Stainless Steel.



INCH COMPONENT CATALOG NUMBER

S970 A - Z E P

B Bore Code

- .1248 (1/8) 3
- .1873 (3/16) 4
- .2498 (1/4) 6

No. of
Teeth
Code

Hub Style Code (See above)

Pin Type 2, 4 or 6

Clamp Type 3, 5 or 7

Material Code - Gears

303 Stainless Steel -

2024-T4 or -T351 Aluminum Alloy,
 anodized before cutting. A

No. of Teeth Code	No. of Teeth	P.D.	O.D.
085	85	1.3281	1.359
090	90	1.4063	1.438
095	95	1.4844	1.516
096	96	1.5000	1.531
100	100	1.5625	1.594
105	105	1.6406	1.672
110	110	1.7188	1.750
115	115	1.7969	1.828
120	120	1.8750	1.906
125	125	1.9531	1.984
128	128	2.0000	2.031
130	130	2.0313	2.063
140	140	2.1875	2.219
150	150	2.3438	2.375
160	160	2.5000	2.531
170	170	2.6563	2.688
180	180	2.8125	2.844
190	190	2.9688	3.000
192	192	3.0000	3.031

Example:

S9703A-Z3E096AP is an Aluminum Clamp Type
 Anti-Backlash Gear with 96 Teeth and .1248 Bore.

1-160
 D820

REVISED:
 05/30/23

- I
- R
- T
- 1
- 2
- 3
- 4
- 5
- 6
- 7
- 8
- 9
- 10
- 11
- 12
- 13
- 14
- 15
- 16