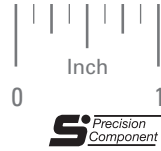
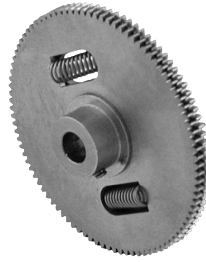


# ANTI-BACKLASH GEARS • 72 PITCH



AGMA 10  
 .104 FACE  
 1/8, 3/16 & 1/4 BORE  
 20° PRESSURE ANGLE

PHONE: 516.328.3300 • FAX: 516.326.8827 • WWW.SDP-SI.COM



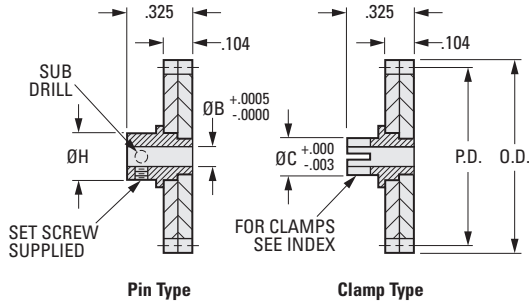
**> MATERIAL:**

- Gears** - 303 Stainless Steel  
 2024-T4 or -T351 Aluminum Alloy,  
 anodized before cutting.
- Hubs** - 303 Stainless Steel
- Springs** - 302 Stainless Steel, Spring Temper

**> HUB STYLE: PIN OR CLAMP TYPE**

B Bore Selection		H Pin Type		C Clamp Type	
Code	Size	Code	Dia.	Code	Dia.
3	.1248 (1/8)	2	.312	3	.187
4	.1873 (3/16)	4	.375	5	.250
6	.2498 (1/4)	6	.437	7	.312

Available on special order:  
 14-1/2° P.A., teeth not listed, different  
 bore size, pivsation for Stainless Steel.



**INCH COMPONENT CATALOG NUMBER**

S 970  A - Z  F     P

**B Bore Code**

- .1248 (1/8) 3
- .1873 (3/16) 4
- .2498 (1/4) 6

**No. of Teeth Code**

**Hub Style Code** (See above)

- Pin Type 2, 4 or 6
- Clamp Type 3, 5 or 7

**Material Code** - Gears

- 303 Stainless Steel -
- 2024-T4 or -T351 Aluminum Alloy,  
 anodized before cutting. A

No. of Teeth Code	No. of Teeth	P.D.	O.D.
100	100	1.3889	1.417
105	105	1.4583	1.486
108	108	1.5000	1.528
110	110	1.5278	1.556
115	115	1.5972	1.625
120	120	1.6667	1.694
125	125	1.7361	1.764
130	130	1.8056	1.833
140	140	1.9444	1.972
144	144	2.0000	2.028
150	150	2.0833	2.111
160	160	2.2222	2.250
170	170	2.3611	2.389
180	180	2.5000	2.528
190	190	2.6389	2.667
200	200	2.7778	2.806
210	210	2.9167	2.944
216	216	3.0000	3.028
220	220	3.0556	3.083

Example:  
 S9703A-Z2F120AP is an Aluminum Pin Type  
 Anti-Backlash Gear with 120 Teeth and .1248 Bore.

1-154  
 D820

REVISED:  
 05/30/23

- I
- R
- T
- 1
- 2
- 3
- 4
- 5
- 6
- 7
- 8
- 9
- 10
- 11
- 12
- 13
- 14
- 15
- 16