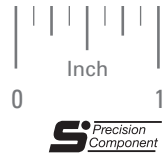
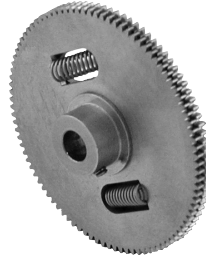


ANTI-BACKLASH GEARS • 80 PITCH



AGMA 10
 .104 FACE
 1/8, 3/16 & 1/4 BORE
 20° PRESSURE ANGLE

PHONE: 516.328.3300 • FAX: 516.326.8827 • WWW.SDP-SI.COM



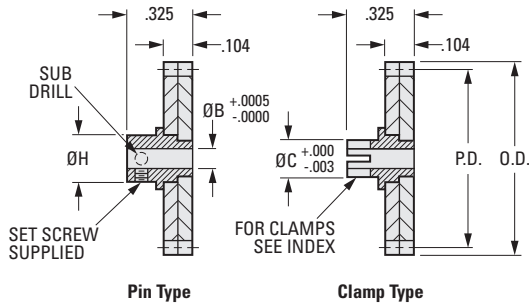
> MATERIAL:

- Gears** - 303 Stainless Steel
 2024-T4 or -T351 Aluminum Alloy,
 anodized before cutting.
- Hubs** - 303 Stainless Steel
- Springs** - 302 Stainless Steel, Spring Temper

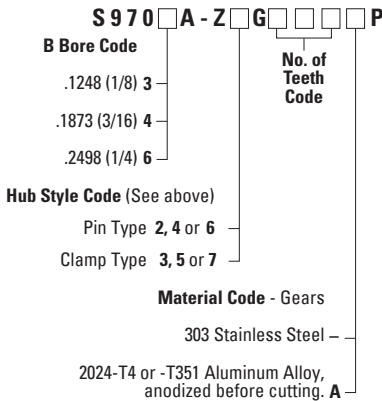
> HUB STYLE: PIN OR CLAMP TYPE

B Bore Selection		H Pin Type		C Clamp Type	
Code	Size	Code	Dia.	Code	Dia.
3	.1248 (1/8)	2	.312	3	.187
4	.1873 (3/16)	4	.375	5	.250
6	.2498 (1/4)	6	.437	7	.312

Available on special order:
 14-1/2° P.A., teeth not listed, different
 bore size, passivation for Stainless Steel.



INCH COMPONENT CATALOG NUMBER



No. of Teeth Code	No. of Teeth	P.D.	O.D.
100	100	1.2500	1.275
105	105	1.3125	1.338
110	110	1.3750	1.400
115	115	1.4375	1.463
120	120	1.5000	1.525
125	125	1.5625	1.588
130	130	1.6250	1.650
135	135	1.6875	1.713
140	140	1.7500	1.775
145	145	1.8125	1.838
150	150	1.8750	1.900
160	160	2.0000	2.025
170	170	2.1250	2.150
180	180	2.2500	2.275
190	190	2.3750	2.400
200	200	2.5000	2.525
220	220	2.7500	2.775
240	240	3.0000	3.025

Example:
 S9703A-Z3G120-P is a Stainless Steel Clamp Type
 Anti-Backlash Gear with 120 Teeth and .1248 Bore.

1-151
 D820

REVISED:
 05/25/23

- I
- R
- T
- 1
- 2
- 3
- 4
- 5
- 6
- 7
- 8
- 9
- 10
- 11
- 12
- 13
- 14
- 15
- 16