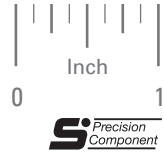


ANTI-BACKLASH GEARS • 120 PITCH



AGMA 10
 .104 FACE
 1/8, 3/16 & 1/4 BORE
 20° PRESSURE ANGLE

PHONE: 516.328.3300 • FAX: 516.326.8827 • WWW.SDP-SI.COM



> MATERIAL:

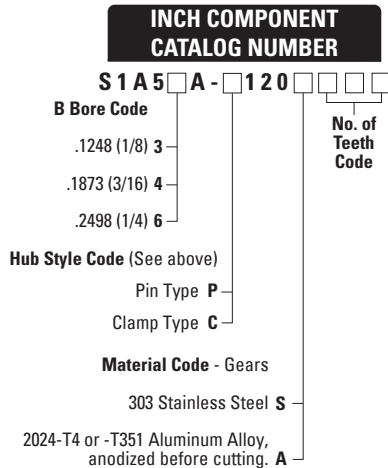
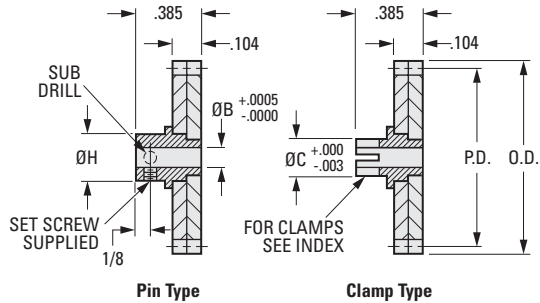
- Gears** - 303 Stainless Steel
 2024-T4 or -T351 Aluminum Alloy,
 anodized before cutting.
- Hubs** - 303 Stainless Steel
- Springs** - 302 Stainless Steel, Spring Temper



> HUB STYLE: PIN OR CLAMP TYPE

B Bore Selection		H Pin Type		C Clamp Type	
Code	Size	Code	Dia.	Code	Dia.
3	.1248 (1/8)	P	.31	C	.188
4	.1873 (3/16)	P	.37	C	.250
6	.2498 (1/4)	P	.50	C	.312

Available on special order:
 14-1/2° P.A., teeth not listed, different
 bore size, passivation for Stainless Steel.



No. of Teeth Code	No. of Teeth	P.D.	O.D.
160	160	1.3333	1.350
165	165	1.3750	1.392
170	170	1.4167	1.433
175	175	1.4583	1.475
180	180	1.5000	1.517
185	185	1.5417	1.558
190	190	1.5833	1.600
195	195	1.6250	1.642
200	200	1.6667	1.683
210	210	1.7500	1.767
220	220	1.8333	1.850
230	230	1.9167	1.933
240	240	2.0000	2.017
250	250	2.0833	2.100
260	260	2.1667	2.183
270	270	2.2500	2.267
280	280	2.3333	2.350
290	290	2.4167	2.433
300	300	2.5000	2.517
310	310	2.5833	2.600
320	320	2.6667	2.683
360	360	3.0000	3.017

Example:
 S1A5A-C120S200 is a Stainless Steel Clamp Type
 Anti-Backlash Gear with 200 Teeth and .1248 Bore.

1-147
 D820

REVISED:
 05/31/23

