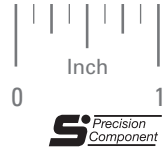


# ANTI-BACKLASH GEARS • 120 PITCH



AGMA 10  
 .104 FACE  
 1/8, 3/16 & 1/4 BORE  
 20° PRESSURE ANGLE

PHONE: 516.328.3300 • FAX: 516.326.8827 • WWW.SDP-SI.COM



**> MATERIAL:**

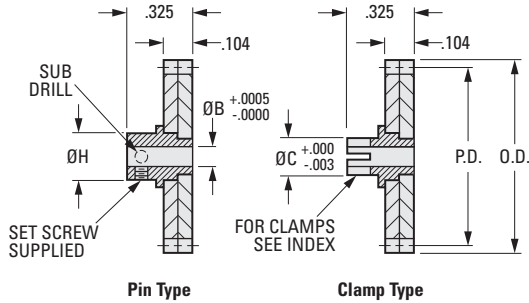
- Gears** - 303 Stainless Steel  
 2024-T4 or -T351 Aluminum Alloy,  
 anodized before cutting.
- Hubs** - 303 Stainless Steel
- Springs** - 302 Stainless Steel, Spring Temper

**> HUB STYLE: PIN OR CLAMP TYPE**

B Bore Selection		H Pin Type		C Clamp Type	
Code	Size	Code	Dia.	Code	Dia.
3	.1248 (1/8)	2	.312	3	.187
4	.1873 (3/16)	4	.375	5	.250
6	.2498 (1/4)	6	.437	7	.312



Available on special order:  
 14-1/2° P.A., teeth not listed, different  
 bore size, passivation for Stainless Steel.



**INCH COMPONENT CATALOG NUMBER**

S970  A-Z  J    P

**B Bore Code**

- .1248 (1/8) 3
- .1873 (3/16) 4
- .2498 (1/4) 6

**No. of Teeth Code**

**Hub Style Code** (See above)

- Pin Type 2, 4 or 6
- Clamp Type 3, 5 or 7

**Material Code - Gears**

- 303 Stainless Steel
- 2024-T4 or -T351 Aluminum Alloy, anodized before cutting. A

No. of Teeth Code	No. of Teeth	P.D.	O.D.
160	160	1.3333	1.350
170	170	1.4167	1.433
180	180	1.5000	1.517
190	190	1.5833	1.600
200	200	1.6667	1.683
210	210	1.7500	1.767
220	220	1.8333	1.850
230	230	1.9167	1.933
240	240	2.0000	2.017
250	250	2.0833	2.100
260	260	2.1667	2.183
270	270	2.2500	2.267
280	280	2.3333	2.350
290	290	2.4167	2.433
300	300	2.5000	2.517
310	310	2.5833	2.600
320	320	2.6667	2.683
330	330	2.7500	2.767
340	340	2.8333	2.850
350	350	2.9167	2.933
360	360	3.0000	3.017

Example:  
 S9703A-Z3J200-P is a Stainless Steel Clamp Type  
 Anti-Backlash Gear with 200 Teeth and .1248 Bore.

1-146  
 D820

REVISED:  
 05/30/23

- I
- R
- T
- 1
- 2
- 3
- 4
- 5
- 6
- 7
- 8
- 9
- 10
- 11
- 12
- 13
- 14
- 15
- 16