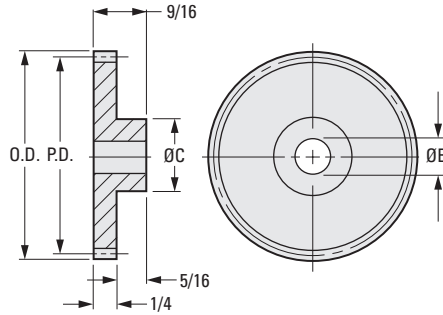
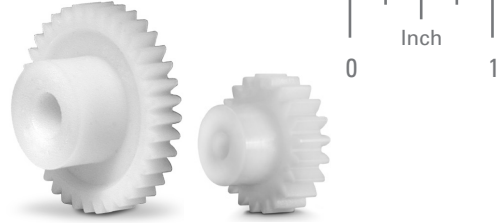


1/4 FACE
20° PRESSURE ANGLE

PHONE: 516.328.3300 • FAX: 516.326.8827 • WWW.SDP-SI.COM

► **MATERIAL:**
Acetal

Discounts available on large quantity orders.



INCH COMPONENT

Catalog Number	No. of Teeth	P.D.	O.D.	B Bore +.0010 -.0020	C Hub Dia.	Type
A 1M 2-Y24012	12	.500	.583	.1875	3/8	Plain
A 1M 2-Y24014	14	.583	.667	.1875	7/16	Plain
A 1M 2-Y24015	15	.625	.708	.1875	31/64	Plain
A 1M 2-Y24016	16	.667	.750	.1875	31/64	Plain
A 1M 2-Y24017	17	.708	.792	.1875	35/64	Plain
A 1M 2-Y24018	18	.750	.833	.1875	35/64	Plain
A 1M 2-Y24019	19	.792	.875	.1875	35/64	Plain
A 1M 2-Y24020	20	.833	.917	.1875	35/64	Plain
A 1M 2-Y24021	21	.875	.958	.1875	35/64	Plain
A 1M 2-Y24022	22	.917	1.000	.1875	35/64	Plain
A 1M 2-Y24023	23	.958	1.042	.1875	35/64	Web
A 1M 2-Y24024	24	1.000	1.083	.2500	5/8	Web
A 1M 2-Y24025	25	1.042	1.125	.2500	39/64	Web
A 1M 2-Y24026	26	1.083	1.167	.2500	5/8	Web
A 1M 2-Y24027	27	1.125	1.208	.2500	5/8	Web
A 1M 2-Y24028	28	1.167	1.250	.2500	5/8	Web
A 1M 2-Y24030	30	1.250	1.333	.2500	5/8	Web
A 1M 2-Y24032	32	1.333	1.417	.2500	39/64	Web
A 1M 2-Y24033	33	1.375	1.458	.2500	39/64	Web
A 1M 2-Y24034	34	1.417	1.500	.2500	39/64	Web
A 1M 2-Y24036	36	1.500	1.583	.2500	39/64	Web
* A 1M 2-Y24036A	36	1.500	1.583	.2500	39/64	Web
A 1M 2-Y24039	39	1.625	1.708	.3125	43/64	Web
A 1M 2-Y24040	40	1.667	1.750	.3125	43/64	Web
A 1M 2-Y24042	42	1.750	1.833	.3125	43/64	Web
A 1M 2-Y24044	44	1.833	1.917	.3125	43/64	Web
A 1M 2-Y24045	45	1.875	1.958	.3125	43/64	Web
A 1M 2-Y24048	48	2.000	2.083	.3125	43/64	Web
A 1M 2-Y24050	50	2.083	2.167	.3125	43/64	Web
A 1M 2-Y24052	52	2.167	2.250	.3125	43/64	Web
A 1M 2-Y24054	54	2.250	2.333	.3125	43/64	Web
A 1M 2-Y24056	56	2.333	2.417	.3125	43/64	Web
A 1M 2-Y24060	60	2.500	2.583	.3125	43/64	Web

* Color: Gray

