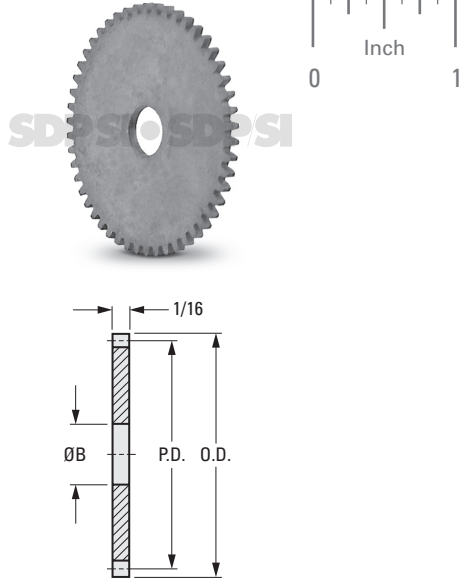


AGMA 6  
1/16 FACE WIDTH  
14-1/2° PRESSURE ANGLE

PHONE: 516.328.3300 • FAX: 516.326.8827 • WWW.SDP-SI.COM

**> MATERIAL:**  
Brass

Sizes not shown in this catalog  
are available on special order.



## INCH COMPONENT

Catalog Number	No. of Teeth	P.D.	O.D.	B Bore +.0010 -.0000
A 1B 1-N32006	6	.188	.250	.0625
A 1B 1-N32008	8	.250	.313	
A 1B 1-N32009	9	.281	.344	
A 1B 1-N32010	10	.313	.375	
A 1B 1-N32011	11	.344	.406	
A 1B 1-N32012	12	.375	.438	
A 1B 1-N32014	14	.438	.500	.1250
A 1B 1-N32015	15	.469	.531	
A 1B 1-N32016	16	.500	.563	
A 1B 1-N32018	18	.563	.625	
A 1B 1-N32020	20	.625	.688	
A 1B 1-N32024	24	.750	.813	
A 1B 1-N32028	28	.875	.938	.1875
A 1B 1-N32032	32	.938	1.063	
A 1B 1-N32040	40	1.250	1.313	
A 1B 1-N32048	48	1.500	1.563	
A 1B 1-N32050	50	1.563	1.625	
A 1B 1-N32060	60	1.875	1.938	
A 1B 1-N32064	64	2.000	2.063	
A 1B 1-N32070	70	2.188	2.250	
A 1B 1-N32075	75	2.344	2.406	
A 1B 1-N32080	80	2.500	2.563	
A 1B 1-N32090	90	2.813	2.875	
A 1B 1-N32096	96	3.000	3.063	
A 1B 1-N32100	100	3.125	3.188	
A 1B 1-N32112	112	3.500	3.563	
A 1B 1-N32120	120	3.750	3.813	
A 1B 1-N32128	128	4.000	4.063	.3125
A 1B 1-N32144	144	4.500	4.563	
				.3750