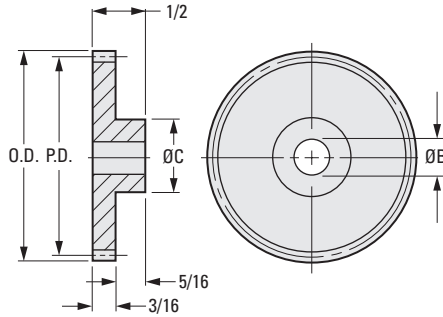
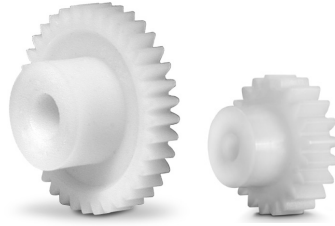


3/16 FACE
20° PRESSURE ANGLE

PHONE: 516.328.3300 • FAX: 516.326.8827 • WWW.SDP-SI.COM

➤ **MATERIAL:**
Acetal

Discounts available on large quantity orders.



INCH COMPONENT

Catalog Number	No. of Teeth	P.D.	O.D.	B Bore +.0010 - .0020	C Hub Dia.	Type
A 1M 2-Y32012	12	.375	.438	.1562	9/32	Plain
A 1M 2-Y32014	14	.438	.500	.1562	5/16	Plain
A 1M 2-Y32015	15	.469	.531	.1562	5/16	Plain
A 1M 2-Y32016	16	.500	.563	.1562	11/32	Plain
A 1M 2-Y32018	18	.563	.625	.1562	11/32	Plain
A 1M 2-Y32020	20	.625	.688	.1875	15/32	Plain
A 1M 2-Y32022	22	.688	.750	.1875	1/2	Plain
A 1M 2-Y32024	24	.750	.813	.1875	1/2	Plain
A 1M 2-Y32026	26	.813	.875	.1875	9/16	Plain
A 1M 2-Y32028	28	.875	.938	.1875	1/2	Plain
A 1M 2-Y32030	30	.938	1.000	.1875	9/16	Web
A 1M 2-Y32032	32	1.000	1.063	.2500	5/8	Web
A 1M 2-Y32034	34	1.063	1.125	.2500	39/64	Web
A 1M 2-Y32036	36	1.125	1.188	.2500	39/64	Web
A 1M 2-Y32038	38	1.188	1.250	.2500	39/64	Web
A 1M 2-Y32040	40	1.250	1.313	.2500	39/64	Web
A 1M 2-Y32042	42	1.313	1.375	.2500	39/64	Web
A 1M 2-Y32044	44	1.375	1.438	.2500	39/64	Web
A 1M 2-Y32048	48	1.500	1.563	.2500	5/8	Web
A 1M 2-Y32052	52	1.625	1.688	.3125	43/64	Web
A 1M 2-Y32056	56	1.750	1.813	.3125	43/64	Web
A 1M 2-Y32064	64	2.000	2.063	.3125	43/64	Web
A 1M 2-Y32072	72	2.250	2.313	.3125	13/16	Web
A 1M 2-Y32080	80	2.500	2.563	.3125	13/16	Web
A 1M 2-Y32096	96	3.000	3.063	.3125	13/16	Web

