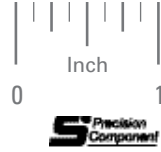


DIFFERENTIAL END GEARS • 64 PITCH



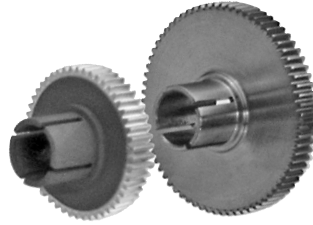
AGMA 12
1/8 FACE
3/8 BORE
20° PRESSURE ANGLE

PHONE: 516.328.3300 • FAX: 516.326.8827 • WWW.SDP-SI.COM

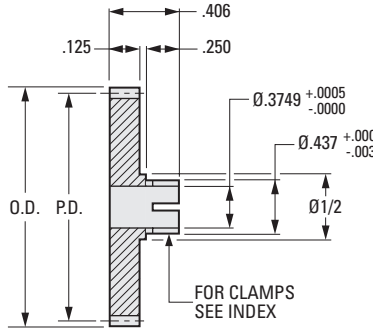


> MATERIAL:

- 303 Stainless Steel
- 2024 Aluminum, Anodized
- T4 or T351 Aluminum Alloy, anodized before cutting



Available on special order:
14-1/2° P.A., teeth not listed, different bore size and/or material, passivation for Stainless Steel.



INCH COMPONENT

Catalog Number		No. of Teeth	P.D.	O.D.
303 Stainless Steel	2024 Aluminum Anodized			
S1168Z-064S040C	S1168Z-064A040C	40	.6250	.6562
S1168Z-064S048C	S1168Z-064A048C	48	.7500	.7812
S1168Z-064S060C	S1168Z-064A060C	60	.9375	.9687
S1168Z-064S064C	S1168Z-064A064C	64	1.0000	1.0312
S1168Z-064S080C	S1168Z-064A080C	80	1.2500	1.2812
S1168Z-064S090C	S1168Z-064A090C	90	1.4062	1.4375
S1168Z-064S096C	S1168Z-064A096C	96	1.5000	1.5312

1-169
D820

REVISED:
6/14/23

- I
- R
- T
- 1**
- 2
- 3
- 4
- 5
- 6
- 7
- 8
- 9
- 10
- 11
- 12
- 13
- 14
- 15
- 16