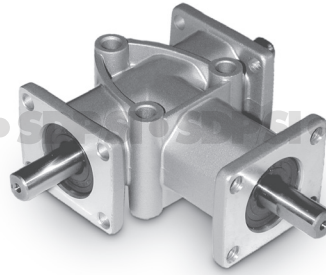


HEAVY-DUTY "T" GEAR DRIVES



PHONE: 516.328.3300 • FAX: 516.326.8827 • WWW.SDP-SI.COM

- 1:1 OR 2:1 RATIOS
- RATED SPEEDS UP TO 3600 RPM
- LOW NOISE & HIGH EFFICIENCY
- EASY INSTALLATION
- COMPACT DESIGN
- MAINTENANCE-FREE
- REVERSIBLE

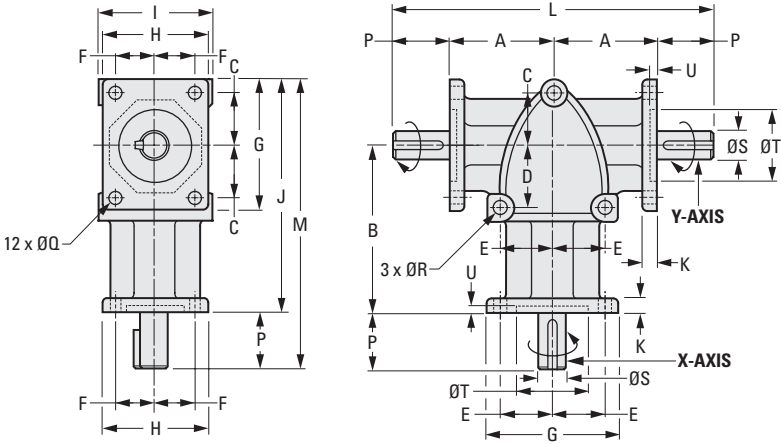


> MATERIAL:

- Gears** - Spiral Bevel, Case-Hardened Alloy Steel
- Case** - Aluminum Die-Cast
- Shafts** - Alloy Steel

> OPERATING TEMPERATURE:

-10°C to +40°C



The projections shown are per ISO convention

METRIC COMPONENT

Catalog Number	Ratio	A	B	C	D	E	F	G	H	I	J	K	L
S991TYM10A	1:1	37	58	18	18	18	14	46	38	40	82	5	114
S991TYM10B	2:1												
S991TYM15A	1:1	66	100	31	36	31	22	80	62	66	140	8	192
S991TYM15B	2:1												
S991TYM20A	1:1	80	120	36	36	36	26	92	72	76	166	10	240
S991TYM20B	2:1												

Catalog Number (Ref.)	M	P	Q Dia.	R Dia.	S Dia. h7	T Dia. H7	U	Key	Backlash of Shaft Rotation	Weight kg
S991TYM10A	102	20	5.5	6.5	10	26	2	1 mm deep Flat 15 /	16°...44'	0.5
S991TYM10B									30°...1°23'	
S991TYM15A	170	30	8.5	8.5	15	42	3	5 x 5 x 27 /	10°...37'	2.2
S991TYM15B									19°...1°09'	
S991TYM20A	206	40	8.5	8.5	20	52	4	6 x 6 x 35 /	8°...33'	3.4
S991TYM20B									15°...60'	

See page 12-? for performance data.

12-10
D805

