

RIGHT ANGLE BEVEL GEAR DRIVES

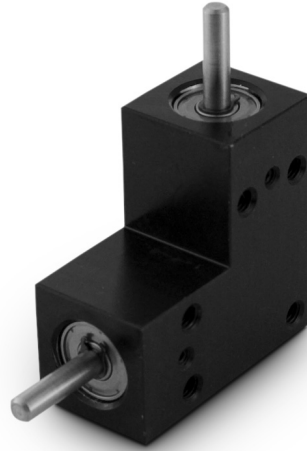
SDP/SI

PRECISION 1:1 RATIO
 INPUT SPEEDS UP TO 3000 RPM
 UP TO 1 HP
 MEDIUM-DUTY

PHONE: 516.328.3300 • FAX: 516.326.8827 • WWW.SDP-SI.COM



QUALITY CLASS



► MATERIAL:

- Housing** - Aluminum Alloy, Black Anodized
All Surfaces Machined
- Gears** - Miter, SAE 4340 Steel
- Shafts** - Type 18-8 Stainless Steel
- Bearings** - Ball, Sealed
- Lubrication** - Grease-Packed for Life

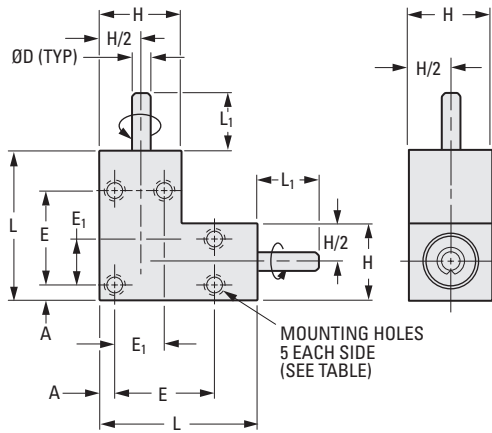
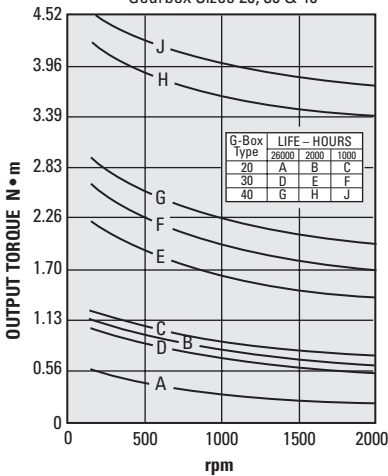
► OPERATING TEMPERATURE:

-20°C to +150°C

► SPECIFICATIONS:

- Gear Ratio:** 1:1
- Backlash:** 1° Max.
- Input Speed:** Max. recommended 3000 rpm

TORQUE/SPEED DATA
 Gearbox Sizes 20, 30 & 40



The projections shown are per ISO convention.

METRIC COMPONENT

Catalog Number	Size	D Shaft Dia. 0 -0.013	L ± 0.25	H ± 0.25	A	E	E ₁
A 2227MC1010	20	4	40	20	4	25	12
A 2228MC1010	30	8	60	30	5	40	20
A 2229MC1010	40	12	80	40	5	55	30

Catalog Number (Ref.)	L ₁	Mounting Holes		1800 rpm Input		Weight grams
		Size	Depth	Max. Output Torque N·m	Max. Output Power	
A 2227MC1010	15	M4	5	0.3	149W (0.2 HP)	80
A 2228MC1010	20	M5	7	1.3	336W (0.45 HP)	265
A 2229MC1010	25	M6	9	3.8	746W (1 HP)	665

I
R
T
1
2
3
4
5
6
7
8
9
10
11
12
13
14
15
A