

LOW-COST RIGHT ANGLE BEVEL GEAR DRIVES

SDP/SI

2:1 RATIO

RATED SPEEDS UP TO 500 RPM

ECONOMY SERIES

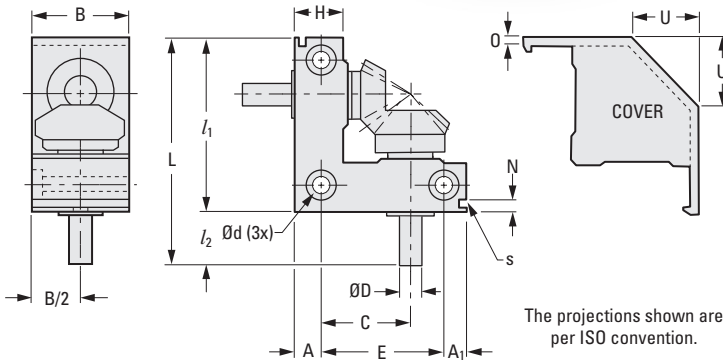
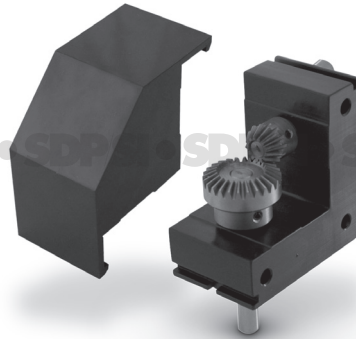
PHONE: 516.328.3300 • FAX: 516.326.8827 • WWW.SDP-SI.COM

► MATERIAL:

- Gears** - AISI 1045 Steel
- Cover** - Plastic, Black
- Shafts** - 303 Stainless Steel
- Housing** - Aluminum, Black Anodized
- Bearings** - Layers of special resin and bronze with steel backing

► SPECIFICATION:

- Shaft Tolerance:
 - 5 & 6 mm 0/-0.018
 - 8 & 10 mm 0/-0.022
 - 12 mm 0/-0.027



PERFORMANCE DATA

Input (rpm)	Output Torque N • m		
	S99RD1MBE55L-2	S99RD1MBE70L-2A or B	S99RD1MBE88L-2A or B
50	0.152	0.298	1.061
100	0.15	0.296	1.047
250	0.147	0.288	1.005
500	0.142	0.276	0.942

METRIC COMPONENT

Catalog Number	Gear Module	No. of Teeth	Gear Ratio	L Overall Length	l ₁ Housing Length	H Housing Width	D Shaft Dia. h8	l ₂ Shaft Length	A	A ₁	E
S99RD1MBE55L-2	0.6	28/14	2:1	55	40	13	5	15	6.5	5	28.5
S99RD1MBE70L-2A	0.8	26/13	2:1	70	50	16	6	20	8	6	36
S99RD1MBE70L-2B				8							
S99RD1MBE88L-2A	1.25			88	63	20	10	25	10	7	46
S99RD1MBE88L-2B							12				

Catalog Number (Ref.)	C	B Housing Depth	d			N	s Slot		O Cover Thickness	U Chamfer	Wt. g
			Mtg. Hole	Hole C'bore	C'bore Depth		Width	Depth			
S99RD1MBE55L-2	21.5	25	3.4	6.5	3.5	4	2.5	2	1.9	16	80
S99RD1MBE70L-2A or B	27	30	4.3	8	4.5	4.5	2.5	2.5	2.1	20	165
S99RD1MBE88L-2A or B	33	40	5.2	9.5	5.5	5				27	375

