

# LOW-COST RIGHT ANGLE BEVEL GEAR DRIVES

# SDP/SI

1:1 RATIO

RATED SPEEDS UP TO 500 RPM

ECONOMY SERIES

PHONE: 516.328.3300 • FAX: 516.326.8827 • WWW.SDP-SI.COM



**> MATERIAL:**

**Gears** - AISI 1045 Steel

**Cover** - Plastic, Black

**Shafts** - 303 Stainless Steel

**Housing** - Aluminum, Black Anodized

**Bearings** - Layers of special resin and bronze with steel backing

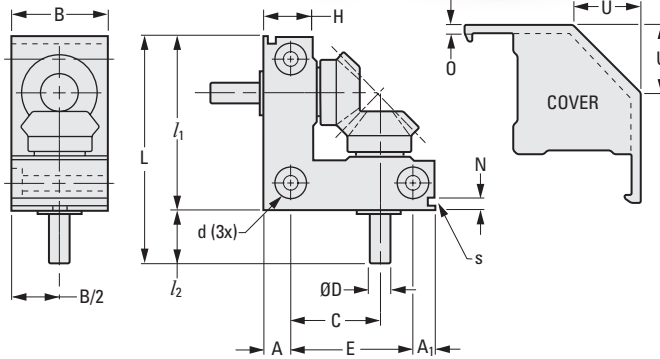
**> SPECIFICATION:**

Shaft Tolerance:

4, 5 & 6 mm 0/-0.018

8 & 10 mm 0/-0.022

12 mm 0/-0.027



The projections shown are per ISO convention.

### PERFORMANCE DATA

Input (rpm)	Output Torque N • m			
	S99RD1MBE40L-1	S99RD1MBE55L-1	S99RD1MBE70L-1A or B	S99RD1MBE88L-1A or B
50	0.14	0.553	1.035	3.32
100	0.139	0.544	1.017	3.237
250	0.135	0.524	0.968	3.013
500	0.129	0.491	0.896	2.7

### METRIC COMPONENT

Catalog Number	Gear Module	No. of Teeth	Gear Ratio	L Overall Length	I <sub>1</sub> Housing Length	H Housing Width	D Shaft Dia. h8	I <sub>2</sub> Shaft Length	A	A <sub>1</sub>	E
S99RD1MBE40L-1	0.5	20	1:1	40	30	10	4	10	5	4.5	20.5
S99RD1MBE55L-1	0.8			55	40	13	5	15	6.5	5	28.5
S99RD1MBE70L-1A	1			70	50	16	6	20	8	6	36
S99RD1MBE70L-1B				8							
S99RD1MBE88L-1A	1.5			88	63	20	10	25	10	7	46
S99RD1MBE88L-1B		12									

Catalog Number (Ref.)	C	B Housing Depth	d			N	s Slot		O Cover Thickness	U Chamfer	Wt. g
			Mtg. Hole	Hole C'bore	C'bore Depth		Width	Depth			
S99RD1MBE40L-1	15	18	3.4	6.5	3.5	2.5	1.5	1.7	1.7	13	30
S99RD1MBE55L-1	21.5	25				4	2.5	2	1.9	16	85
S99RD1MBE70L-1A or B	27	30	4.3	8	4.5	4.5	2.5	2.5	2.1	20	170
S99RD1MBE88L-1A or B	33	40	5.2	9.5	5.5	5				27	380

12-2  
D805