

PROTECTS FRAGILE SUBJECTS FROM
MICRO-VIBRATIONS AND LIGHT SHOCKS

PHONE: 516.328.3300 • FAX: 516.326.8827 • WWW.SDP-SI.COM

> MATERIAL:

- Collar - Brass
- Bushing - Silicone Gel

More technical data is given
on preceding pages.

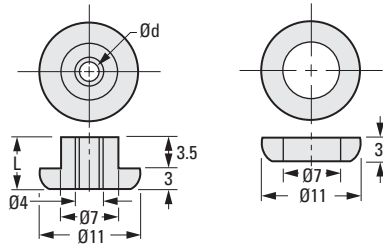


Fig. 1

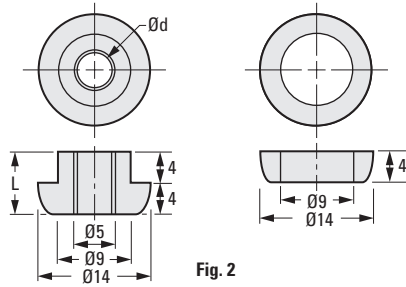
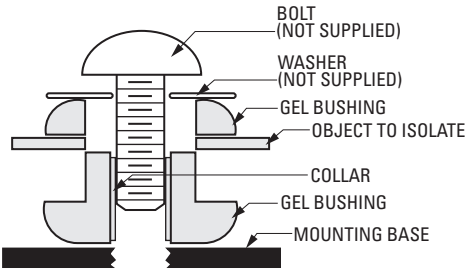


Fig. 2



INSTALLATION DIAGRAM

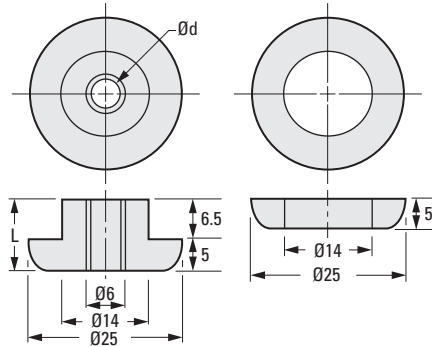


Fig. 3

METRIC COMPONENT

Catalog Number	Fig. No.	d Collar I.D.	L Collar Length	Collar Thickness	Optimum Load kgf/leg	Resonance Point Hz	Resonance Magnification dB	Recommended Frequency Hz
A10Z61MS	1	3	6	0.5	0.05 to 0.188	64 to 42	7 to 9	0.05 kg • 90 ~ 0.188 kg • 60 ~
A10Z61MA1	2	3	7	1	0.125 to 0.625	67 to 35	9 to 10	0.125 kg • 95 ~ 0.625 kg • 50 ~
A10Z61MA2					0.625 to 1	49 to 37	15 to 16	0.625 kg • 70 ~ 1 kg • 55 ~
A10Z61MB1	3	4	11	1	1 to 3.75	49 to 23	15 to 17	1 kg • 70 ~ 3.75 kg • 35 ~
A10Z61MB2					3.75 to 8	20 to 15	19 to 23	3.75 kg • 30 ~ 8 kg • 25 ~