

SPRING AND SILICONE GEL VIBRATION DAMPERS

SDP/SI

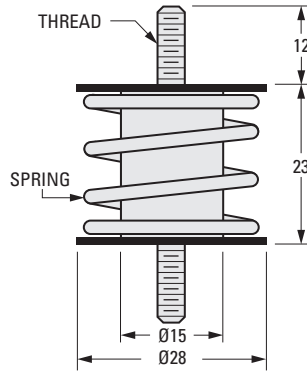
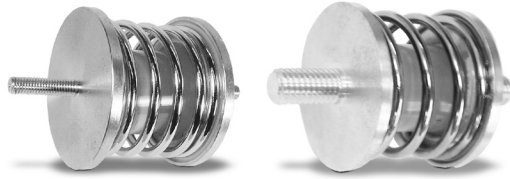
TO BE USED IN COMPRESSION ONLY
 DAMPS LOW FREQUENCY VIBRATIONS
 VERTICAL VIBRATIONS DAMPED WITHOUT HORIZONTAL DEFLECTION

PHONE: 516.328.3300 • FAX: 516.326.8827 • WWW.SDP-SI.COM



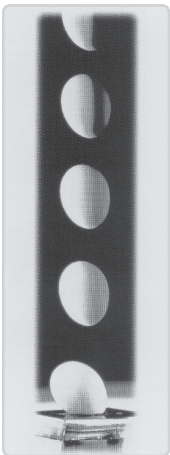
> MATERIAL:

- Studs** - Brass
- Body** - Silicone Gel
- Spring** - Piano Wire Type B, Nickel Plated



METRIC COMPONENT

Catalog Number	Optimum Load kgf/leg	Resonance Point Hz	Resonance Magnification dB	Recommended Frequency Hz	Thread
A10Z61MBG7	0.8 to 1.6	10 to 8	16 to 14	from 14	M3
A10Z61MBG8	1.5 to 4		18 to 16		M6



Demonstration of Silicone Gel's outstanding shock-absorbing abilities.

An ordinary fresh raw egg dropped down from 18 meters high to a 2 cm thick Silicone Gel bed does not break. It is publicly proven many times.

