

# THREE-PIECE JUNIOR COUPLINGS

# SDP/SI

PHONE: 516.328.3300 • FAX: 516.326.8827 • WWW.SDP-SI.COM

CROWNED GEAR TEETH  
 CHEMICAL-RESISTANT NYLON  
 NO NEED FOR LUBRICATION  
 ELECTRICALLY ISOLATED



**> MATERIAL:**

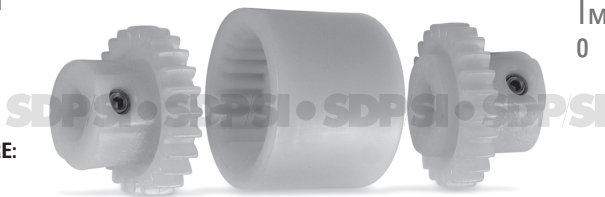
Nylon

**> OPERATING TEMPERATURE:**

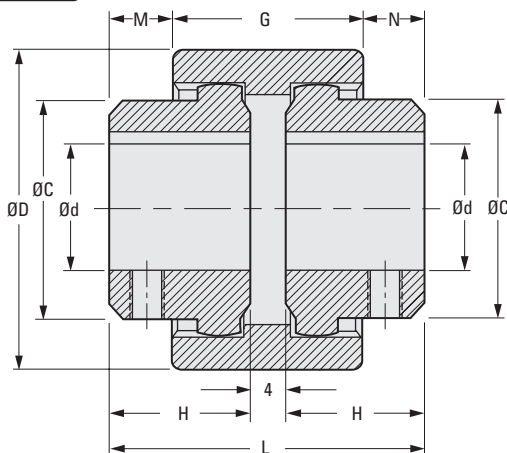
-25°C to +100°C

**> MAX. OPERATING SPEED:**

6000 rpm



Keyway Dimensions								
Bore	6	8	10	12	14	16	18	20
w	2	2	3	4	5	5	6	6
t	1	1	1.4	1.8	2.3	2.3	2.8	2.8



## METRIC COMPONENT

Catalog Number	d Bore	C	D	H	L	M/N	G	Torque N•m	
								Nom.	Max.
<b>BoWex® Size JRM-14</b>									
S5911YMJRM1406	6	22	40	23	50	6.5	37	5	10
S5911YMJRM1408	8								
S5911YMJRM1410	10								
S5911YMJRM1412	12								
S5911YMJRM1414	14	26							
<b>BoWex® Size JRM-19</b>									
S5911YMJRM1912	12	27	48	25	54	8.5	37	8	16
S5911YMJRM1914	14								
S5911YMJRM1916	16	30							
<b>BoWex® Size JRM-24</b>									
S5911YMJRM2410	10	26	52	26	56	7.5	41	12	24
S5911YMJRM2412	12								
S5911YMJRM2414	14								
S5911YMJRM2416	16								
S5911YMJRM2418	18								
S5911YMJRM2420	20	36							

**NOTES:** 1. Hub diameters (C) are not to exceed dimensions; some smaller bores may have smaller hub diameters.  
 2. M5 set-screw, located 180° opposite from keyway.

