

> MATERIAL:

- Bushing - Aluminum
- Clamp - Aluminum
- Bellows - Stainless Steel

> FEATURES:

- Backlash-Free Torque Transmission
- High Torsional Rigidity
- High-Speed Torque Transmission
- Low-Mass Moment of Inertia

> FOR COMPLETE COUPLING

METRIC COMPONENT CATALOG NUMBER

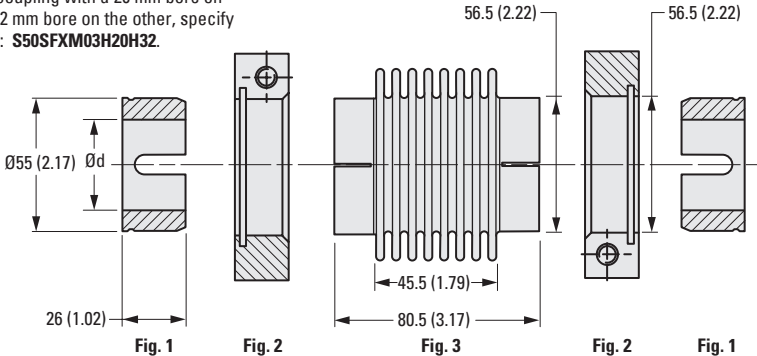
S50SFXM03H

Bore 1 Bore 2

*When creating a Catalog Number, **Bore 1** must be smaller than or equal to **Bore 2**.

Bore Code	Bore
20	20
22	22
25	25
32	32
38	38
45	45

Example: For a coupling with a 20 mm bore on one side and a 32 mm bore on the other, specify Catalog Number: **S50SFXM03H20H32**.



> FOR INDIVIDUAL COMPONENTS

METRIC COMPONENT

Catalog Number	Material	d Bore (H7)	Transmissible Torque N • m
Fig. 1 Bushing			
S50SFXM0320550	Aluminum	20	133
S50SFXM0322550		22	147
S50SFXM0325550		25	167
S50SFXM0332550		32	200
S50SFXM0338550		38	200
S50SFXM0345550		45	200
Fig. 2 Clamp			
S35SFXM0356592	Aluminum	—	—
Fig. 3 Bellows			
S60SFXM03805565	Stainless Steel	—	—

NOTE: Dimensions in () are inch.



- I
- R
- T
- 1
- 2
- 3
- 4
- 5
- 6**
- 7
- 8
- 9
- 10
- 11
- 12
- 13
- 14
- 15
- A