

> **MATERIAL:**

- Bushing** - Aluminum
- Clamp** - Aluminum
- Bellows** - Stainless Steel

> **FEATURES:**

- Backlash-Free Torque Transmission
- High Torsional Rigidity
- High-Speed Torque Transmission
- Low-Mass Moment of Inertia

> **FOR COMPLETE COUPLING**

METRIC COMPONENT CATALOG NUMBER

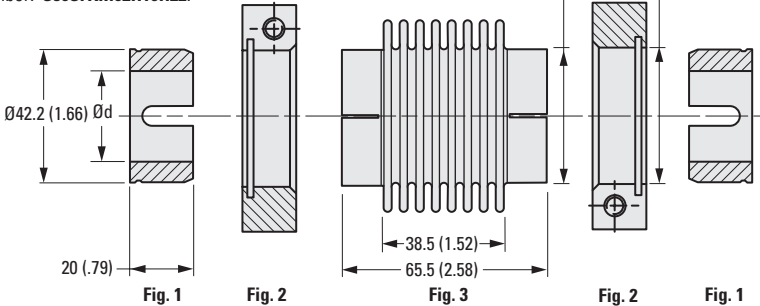
S50SFXM02H

Bore 1 Bore 2

*When creating a Catalog Number, **Bore 1** must be smaller than or equal to **Bore 2**.

Bore Code	Bore
16	16
19	19
22	22
25	25
32	32

Example: For a coupling with a 16 mm bore on one side and a 22 mm bore on the other, specify Catalog Number: **S50SFXM02H16H22**.

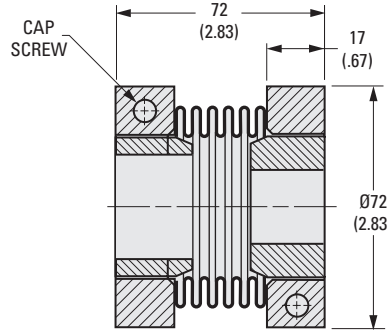


> **FOR INDIVIDUAL COMPONENTS**

METRIC COMPONENT

Catalog Number	Material	d Bore (H7)	Transmissible Torque N • m
Fig. 1 Bushing			
S50SFXM0216422	Aluminum	16	60
S50SFXM0219422		19	72
S50SFXM0222422		22	84
S50SFXM0225422		25	100
S50SFXM0232422		32	100
Fig. 2 Clamp			
S35SFXM0243071	Aluminum	—	—
Fig. 3 Bellows			
S60SFXM02655430	Stainless Steel	—	—

NOTE: Dimensions in () are inch.



- I
- R
- T
- 1
- 2
- 3
- 4
- 5
- 6
- 7
- 8
- 9
- 10
- 11
- 12
- 13
- 14
- 15
- A