

> MATERIAL:

- Bushing** - Aluminum
- Clamp** - Aluminum
- Bellows** - Stainless Steel

> FEATURES:

- Backlash-Free Torque Transmission
- High Torsional Rigidity
- High-Speed Torque Transmission
- Low-Mass Moment of Inertia

> FOR COMPLETE COUPLING

METRIC COMPONENT CATALOG NUMBER

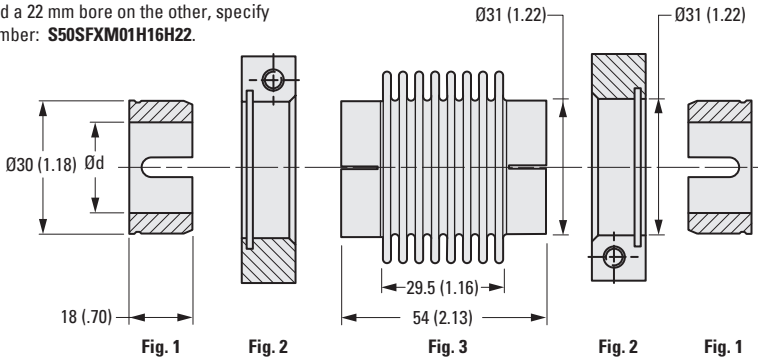
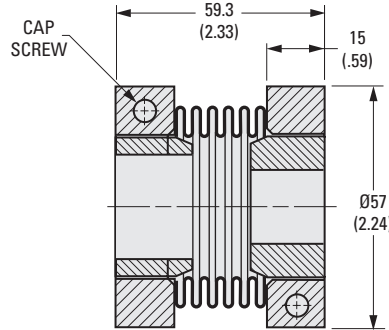
S50SFXM01H

Bore 1 Bore 2

*When creating a Catalog Number, **Bore 1** must be smaller than or equal to **Bore 2**.

Bore Code	Bore
12	12
16	16
19	19
22	22

Example: For a coupling with a 16 mm bore on one side and a 22 mm bore on the other, specify Catalog Number: **S50SFXM01H16H22**.



> FOR INDIVIDUAL COMPONENTS

METRIC COMPONENT

Catalog Number	Material	d Bore (H7)	Transmissible Torque N • m
Fig. 1 Bushing			
S50SFXM0112300	Aluminum	12	26
S50SFXM0116300		16	35
S50SFXM0119300		19	40
S50SFXM0122300		22	40
Fig. 2 Clamp			
S35SFXM0131055	Aluminum	—	—
Fig. 3 Bellows			
S60SFXM01540310	Stainless Steel	—	—

NOTE: Dimensions in () are inch.

- I
- R
- T
- 1
- 2
- 3
- 4
- 5
- 6**
- 7
- 8
- 9
- 10
- 11
- 12
- 13
- 14
- 15
- A