

> MATERIAL:

- Bushing** - Aluminum
- Clamp** - Aluminum
- Bellows** - Stainless Steel

> FEATURES:

- Backlash-Free Torque Transmission
- High Torsional Rigidity
- High-Speed Torque Transmission
- Low-Mass Moment of Inertia

> FOR COMPLETE COUPLING

METRIC COMPONENT CATALOG NUMBER

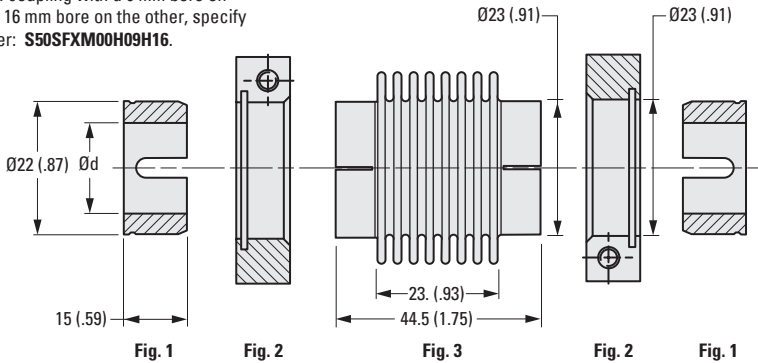
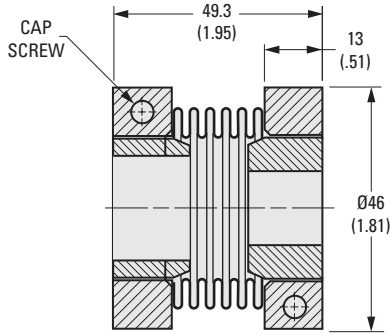
S50SFXM00H

Bore 1 Bore 2

*When creating a Catalog Number, **Bore 1** must be smaller than or equal to **Bore 2**.

Bore Code	Bore
09	9
12	12
16	16
19	19

Example: For a coupling with a 9 mm bore on one side and a 16 mm bore on the other, specify Catalog Number: **S50SFXM00H09H16**.



> FOR INDIVIDUAL COMPONENTS

METRIC COMPONENT

Catalog Number	Material	d Bore (H7)	Transmissible Torque N • m
Fig. 1 Bushing			
S50SFXM0009220	Aluminum	9	11
S50SFXM0012220		12	
S50SFXM0016220		16	
S50SFXM0019220		19	
Fig. 2 Clamp			
S35SFXM0023043	Aluminum	—	—
Fig. 3 Bellows			
S60SFXM00445230	Stainless Steel	—	—

NOTE: Dimensions in () are inch.

