

# SET SCREW TYPE BELLOWS COUPLINGS



PHOSPHOR BRONZE BELLOWS  
ZERO BACKLASH  
MAINTENANCE-FREE

PHONE: 516.328.3300 • FAX: 516.326.8827 • WWW.SDP-SI.COM



**> MATERIAL:**

- Hubs** - Aluminum Alloy
- Bellows** - Phosphor Bronze
- Cap Screws** - Steel - Black Oxide Finish

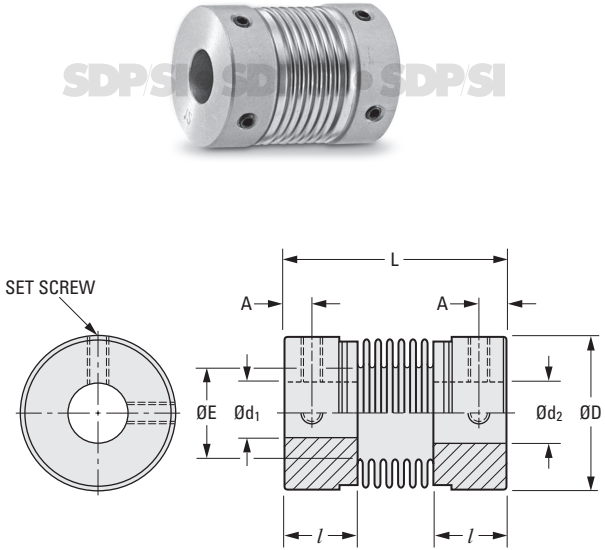
**> SPECIFICATION:**

- d<sub>1</sub>, d<sub>2</sub> Tolerance:  
3 mm +0.014/0
- 4, 5 & 6 mm +0.018/0
- 8 & 10 mm +0.022/0

Recommended Shaft Tolerances h6 or h7

Other bore sizes and combinations are available on special order.

Couplings with a bore diameter of 4 mm or less have one set screw in each hub.



The projections shown are per ISO convention.

**METRIC COMPONENT**

Catalog Number	d <sub>1</sub> Bore H8	d <sub>2</sub> Bore H8	D Dia.	l	L	E Bellows I.D.	A	Set Screw	Max. Bore
S50MFBMA12P03P03	3	3	12	7.5	23.5	7	2.5	M2.5	6.35
S50MFBMA12P04P05	4	5							
S50MFBMA12P05P05	5	5							
S50MFBMA12P05P06	5	6							
S50MFBMA12P06P06	6	6							
S50MFBMA16P04P04	4	4	16	9	26.5	9.5	3	M3	8
S50MFBMA16P05P05	5	5							
S50MFBMA16P05P06	5	6							
S50MFBMA16P06P06	6	6							
S50MFBMA16P06P08	6	8							
S50MFBMA20P06P06	6	6	20	10	32	12.5	3.5	M3	10
S50MFBMA20P06P08	6	8							
S50MFBMA20P06P10	6	10							
S50MFBMA20P08P08	8	8							
S50MFBMA20P10P10	10	10							

Coupling Series (Ref.)	Rated Torque N • m	Max. Torque N • m	Max. rpm	Moment of Inertia* kg • m <sup>2</sup>	Static Torsional Stiffness N • m/rad	Max. Parallel Offset mm	Max. Angular Offset deg	Max. Axial Play mm	Weight* grams
S50MFBMA12_P__	0.3	0.6	32000	9 x 10 <sup>-8</sup>	82	0.1	1.5	+0.4/-1.2	4.1
S50MFBMA16_P__	0.5	1	24000	3.5 x 10 <sup>-7</sup>	110				9
S50MFBMA20_P__	0.8	1.6	19000	9.9 x 10 <sup>-7</sup>	180	0.15	2	+0.6/-1.8	16

\*Values with max. bore diameter.

Continued on the next page

