

SET SCREW TYPE BELLOWS COUPLINGS

SDP/SI

STAINLESS STEEL
ZERO BACKLASH
MAINTENANCE-FREE

PHONE: 516.328.3300 • FAX: 516.326.8827 • WWW.SDP-SI.COM



> MATERIAL:

- Hubs** - Stainless Steel
- Bellows** - Stainless Steel
- Cap Screws** - Stainless Steel

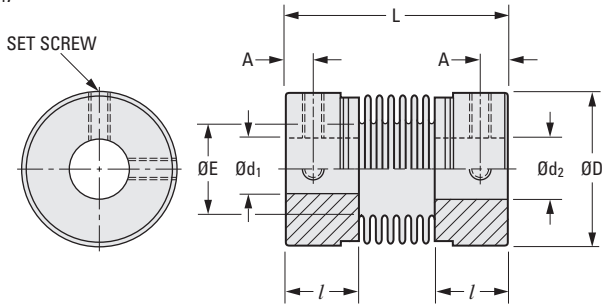
> SPECIFICATION:

- d₁, d₂ Tolerance:
6 mm +0.018/0
- 8 & 10 mm +0.022/0
- 12 & 14 mm +0.027/0



Recommended Shaft Tolerances h6 or h7

Other bore sizes and combinations are available on special order.



The projections shown are per ISO convention.

METRIC COMPONENT

Catalog Number	d ₁ Bore H8	d ₂ Bore H8	D Dia.	l	L	E Bellows I.D.	A	Set Screw	Max. Bore
S50MFBMS25P06P06	6	6	25	12	36.5	15	4.5	M4	12
S50MFBMS25P06P12	6	12							
S50MFBMS25P08P08	8	8							
S50MFBMS25P08P10	8	10							
S50MFBMS25P10P10	10	10							
S50MFBMS32P08P08	8	8	32	13.5	42	21	5.5	M4	16
S50MFBMS32P10P10	10	10							
S50MFBMS32P10P14	10	14							
S50MFBMS32P12P12	12	12							

Coupling Series (Ref. Only)	Rated Torque N • m	Max. Torque N • m	Max. rpm	Moment of Inertia* kg • m ²	Static Torsional Stiffness N • m/rad	Max. Parallel Offset mm	Max. Angular Offset deg	Max. Axial Play mm	Weight* grams
S50MFBMS25_P__	2	4	15000	7 x 10 ⁻⁶	330	0.15	2	+0.6/-1.8	73
S50MFBMS32_P__	3	6	12000	2.1 x 10 ⁻⁵	490	0.2		+0.8/-2.5	130

* Values with max. bore diameter.

Continued from the previous page