

# SET SCREW TYPE BELLOWS COUPLINGS



STAINLESS STEEL  
ZERO BACKLASH  
MAINTENANCE-FREE

PHONE: 516.328.3300 • FAX: 516.326.8827 • WWW.SDP-SI.COM



**> MATERIAL:**

- Hubs** - Stainless Steel
- Bellows** - Stainless Steel
- Cap Screws** - Stainless Steel

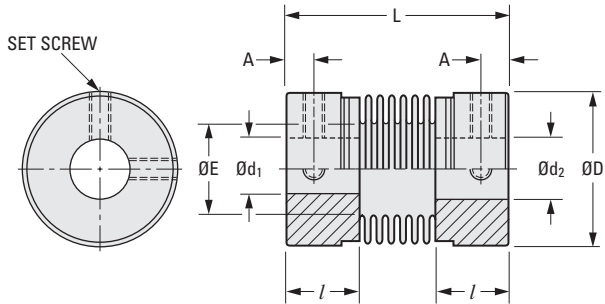
**> SPECIFICATION:**

- d<sub>1</sub>, d<sub>2</sub> Tolerance:  
3 mm +0.014/0
- 4, 5 & 6 mm +0.018/0
- 8 & 10 mm +0.022/0

Recommended Shaft Tolerances h6 or h7

Other bore sizes and combinations are available on special order.

Couplings with a bore diameter of 4 mm or less have one set screw in each hub.



The projections shown are per ISO convention.

**METRIC COMPONENT**

| Catalog Number   | d <sub>1</sub><br>Bore<br>H8 | d <sub>2</sub><br>Bore<br>H8 | D<br>Dia. | l   | L    | E<br>Bellows<br>I.D. | A   | Set<br>Screw | Max.<br>Bore |
|------------------|------------------------------|------------------------------|-----------|-----|------|----------------------|-----|--------------|--------------|
| S50MFBMS12P03P03 | 3                            | 3                            | 12        | 7.5 | 23.5 | 7                    | 2.5 | M2.5         | 6.35         |
| S50MFBMS12P03P05 | 3                            | 5                            |           |     |      |                      |     |              |              |
| S50MFBMS12P04P04 | 4                            | 4                            |           |     |      |                      |     |              |              |
| S50MFBMS12P04P06 | 4                            | 6                            |           |     |      |                      |     |              |              |
| S50MFBMS12P05P06 | 5                            | 6                            |           |     |      |                      |     |              |              |
| S50MFBMS16P04P04 | 4                            | 4                            | 16        | 9   | 26.5 | 9.5                  | 3   | M3           | 8            |
| S50MFBMS16P05P05 | 5                            | 5                            |           |     |      |                      |     |              |              |
| S50MFBMS16P06P06 | 6                            | 6                            |           |     |      |                      |     |              |              |
| S50MFBMS16P06P08 | 6                            | 8                            |           |     |      |                      |     |              |              |
| S50MFBMS20P05P05 | 5                            | 5                            | 20        | 10  | 32   | 12.5                 | 3.5 | M3           | 10           |
| S50MFBMS20P06P06 | 6                            | 6                            |           |     |      |                      |     |              |              |
| S50MFBMS20P06P08 | 6                            | 8                            |           |     |      |                      |     |              |              |
| S50MFBMS20P08P08 | 8                            | 8                            |           |     |      |                      |     |              |              |
| S50MFBMS20P10P10 | 10                           | 10                           |           |     |      |                      |     |              |              |

| Coupling Series<br>(Ref.) | Rated<br>Torque<br>N • m | Max.<br>Torque<br>N • m | Max.<br>rpm | Moment<br>of<br>Inertia*<br>kg • m <sup>2</sup> | Static<br>Torsional<br>Stiffness<br>N • m/rad | Max.<br>Parallel<br>Offset<br>mm | Max.<br>Angular<br>Offset<br>deg | Max.<br>Axial<br>Play<br>mm | Weight*<br>grams |
|---------------------------|--------------------------|-------------------------|-------------|---|---|----------------------------------|----------------------------------|-----------------------------|------------------|
| S50MFBMS12_P__            | 0.5                      | 1                       | 32000       | 2.1 x 10 <sup>-7</sup>                          | 100   | 0.1                              | 1.5                              | +0.4/-1.2                   | 9.1              |
| S50MFBMS16_P__            | 1                        | 2                       | 24000       | 8 x 10 <sup>-7</sup>                            | 150   |                                  |                                  |                             | 20               |
| S50MFBMS20_P__            | 1.5                      | 3                       | 19000       | 2.3 x 10 <sup>-6</sup>                          | 220   | 0.15                             | 2                                | +0.6/-1.8                   | 37               |

\* Values with max. bore diameter.

Continued on the next page

