

# SPLIT HUB TYPE BELLOWS COUPLINGS

# SDP/SI

PHOSPHOR BRONZE BELLOWS  
ZERO BACKLASH  
MAINTENANCE-FREE

PHONE: 516.328.3300 • FAX: 516.326.8827 • WWW.SDP-SI.COM

**> MATERIAL:**

- Hubs** - Aluminum Alloy
- Bellows** - Phosphor Bronze
- Cap Screws** - Steel - Black Oxide Finish

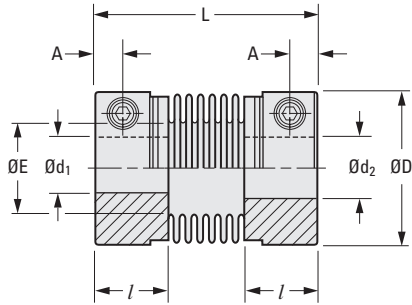
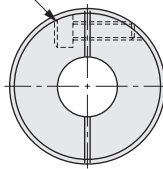
**> SPECIFICATION:**

- Recommended Shaft Tolerance (h7):  
 4, 5 & 6 mm 0/-0.012  
 8 & 10 mm 0/-0.015  
 12 & 14 mm 0/-0.018

Other bore sizes and combinations are available on special order.



CAP SCREW



The projections shown are per ISO convention.

## METRIC COMPONENT

Catalog Number	d <sub>1</sub> Bore	d <sub>2</sub> Bore	D Dia.	l	L	E Bellows I.D.	A	Cap Screw	Max. Bore
S50MFBMA12H04H04	4	4	12	7.5	23.5	7	2.25	M2	5
S50MFBMA12H04H05	4	5							
S50MFBMA12H05H05	5	5							
S50MFBMA16H05H05	5	5	16	9	26.5	9.5	3	M2.5	6.35
S50MFBMA16H05H06	5	6							
S50MFBMA16H06H06	6	6							
S50MFBMA20H06H06	6	6	20	10	32	12.5	3.5	M2.5	8
S50MFBMA20H06H08	6	8							
S50MFBMA20H08H08	8	8							
S50MFBMA25H08H08	8	8	25	12	36.5	15	4.5	M3	10
S50MFBMA25H08H10	8	10							
S50MFBMA25H10H10	10	10							
S50MFBMA32H08H08	8	8	32	13.5	42	21	5	M4	14
S50MFBMA32H10H10	10	10							
S50MFBMA32H10H12	10	12							
S50MFBMA32H10H14	10	14							
S50MFBMA32H12H12	12	12							

Coupling Series (Ref. Only)	Rated Torque N • m	Max. Torque N • m	Max. rpm	Moment of Inertia* kg • m <sup>2</sup>	Static Torsional Stiffness N • m/rad	Max. Parallel Offset mm	Max. Angular Offset deg	Max. Axial Play mm	Weight* grams
S50MFBMA12_H_	0.3	0.6	13000	9.7 x 10 <sup>-8</sup>	82	0.1	1.5	+0.4/-1.2	3.8
S50MFBMA16_H_	0.5	1	9500	3.7 x 10 <sup>-7</sup>	110				9.8
S50MFBMA20_H_	0.8	1.6	7700	1 x 10 <sup>-6</sup>	180	0.15	2	+0.6/-1.8	16
S50MFBMA25_H_	1.3	2.6	6100	3.1 x 10 <sup>-6</sup>	240				32
S50MFBMA32_H_	2	4	4800	9.6 x 10 <sup>-6</sup>	330				58

\* Values with max. bore diameter.

6-5  
D805

I

R

T

1

2

3

4

5

6

7

8

9

10

11

12

13

14

15

A