

SPLIT HUB TYPE BELLOWS COUPLINGS

SDPSI

STAINLESS STEEL
ZERO BACKLASH
MAINTENANCE-FREE

PHONE: 516.328.3300 • FAX: 516.326.8827 • WWW.SDP-SI.COM



> MATERIAL:

- Hubs** - Stainless Steel
- Bellows** - Stainless Steel
- Cap Screws** - Stainless Steel

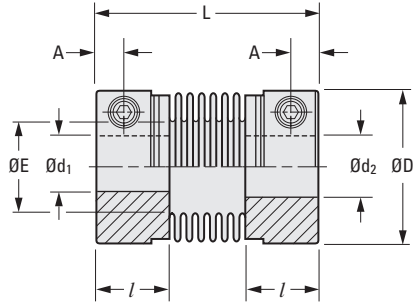
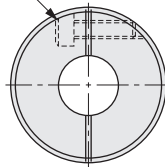
> SPECIFICATION:

- Recommended Shaft Tolerance (h7):
 4, 5 & 6 mm 0/-0.012
 8 & 10 mm 0/-0.015
 12 & 14 mm 0/-0.018

Other bore sizes and combinations are available on special order.



CAP SCREW



The projections shown are per ISO convention.

METRIC COMPONENT

Catalog Number	d ₁ Bore	d ₂ Bore	D Dia.	l	L	E Bellows I.D.	A	Cap Screw	Max. Bore
S50MFBMS12H04H04	4	4	12	7.5	23.5	7	2.25	M2	5
S50MFBMS12H04H05	4	5							
S50MFBMS12H05H05	5	5							
S50MFBMS16H05H05	5	5	16	9	26.5	9.5	3	M2.5	6.35
S50MFBMS16H05H06	5	6							
S50MFBMS16H06H06	6	6							
S50MFBMS20H06H06	6	6	20	10	32	12.5	3.5	M2.5	8
S50MFBMS20H06H08	6	8							
S50MFBMS20H08H08	8	8							
S50MFBMS25H08H08	8	8	25	12	36.5	15	4.5	M3	10
S50MFBMS25H08H10	8	10							
S50MFBMS25H10H10	10	10							
S50MFBMS32H08H08	8	8	32	13.5	42	21	5	M4	14
S50MFBMS32H10H10	10	10							
S50MFBMS32H10H14	10	14							
S50MFBMS32H12H12	12	12							
S50MFBMS32H14H14	14	14							

Coupling Series (Ref.)	Rated Torque N • m	Max. Torque N • m	Max. rpm	Moment of Inertia* kg • m ²	Static Torsional Stiffness N • m/rad	Max. Parallel Offset mm	Max. Angular Offset deg	Max. Axial Play mm	Weight* grams
S50MFBMS12_H_	0.5	1	13000	2.1 x 10 ⁻⁷	100	0.1	1.5	+0.4/-1.2	9.2
S50MFBMS16_H_	1	2	9500	8.1 x 10 ⁻⁷	150				22
S50MFBMS20_H_	1.5	3	7700	2.3 x 10 ⁻⁶	220	0.15	2	+0.6/-1.8	38
S50MFBMS25_H_	2	4	6100	6.9 x 10 ⁻⁶	330				74
S50MFBMS32_H_	3	6	4800	2.1 x 10 ⁻⁵	490				2

* Values with max. bore diameter.

I

R

T

1

2

3

4

5

6

7

8

9

10

11

12

13

14

15

A