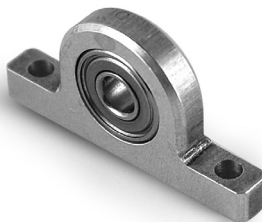


ISO CLASS 6
 DOUBLE-SHIELDED
 CORROSION-RESISTANT
 LIGHTWEIGHT
 LUBRICATED FOR THE LIFE OF THE
 BEARING
 MEDICAL, SCIENTIFIC & PHARMACEUTICAL
 APPLICATIONS

PHONE: 516.328.3300 • FAX: 516.326.8827 • WWW.SDP-SI.COM

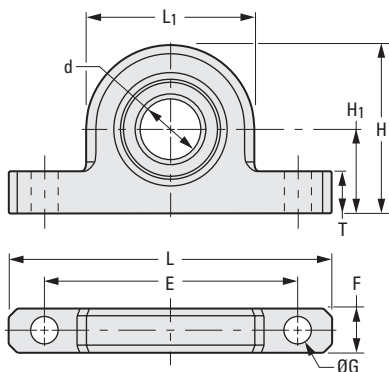


> **MATERIAL:**

Bearing - Stainless Steel
Pillow Block - Sintered Aluminum

> **OPERATING TEMPERATURE:**

-30°C to +120°C



The projections shown are per ISO convention.

METRIC COMPONENT

Catalog Number	d Shaft Dia.	H Overall Height	L Overall Length	F Overall Width	E Mounting Distance	T Nominal Flange Thickness
A 7Z29MXS004	4	19	36.5	5	28.57	5
A 7Z29MXS005	5					
A 7Z29MXS006	6					
A 7Z29MXS008	8					
A 7Z29MXS010	10	28.6	57.2	10.1	44.45	6

Catalog Number (Ref.)	H ₁ Height to Centerline ± 0.025	G Mounting Hole	L ₁ Housing Width	Max. Speed rpm	Max. Radial Load N
A 7Z29MXS004	9.525	3.2	19	48000	1000
A 7Z29MXS005				43000	1130
A 7Z29MXS006				40000	750
A 7Z29MXS008				37000	560
A 7Z29MXS010	14.287	4	28.7	37000	1780