

PILLOW BLOCK BEARINGS

SDPSI

MAINTENANCE-FREE
 SELF-LUBRICATING
 LIGHTWEIGHT
 COMPENSATES FOR ALIGNMENT ERRORS

PHONE: 516.328.3300 • FAX: 516.326.8827 • WWW.SDP-SI.COM



> MATERIAL:

Body - Thermoplastic
 Ball - L280® Polymer

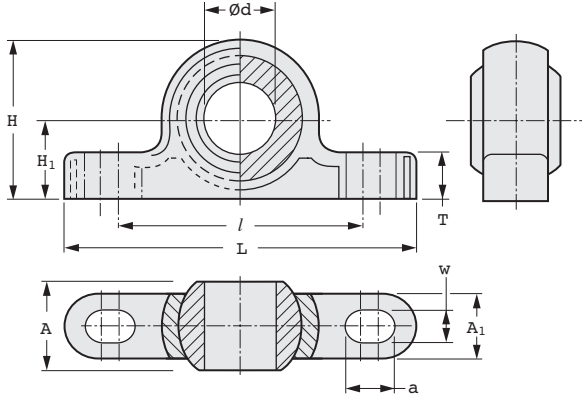
> OPERATING TEMPERATURE:

-40°C to +130°C

> SPECIFICATION:

Bore Tolerance:
 5 & 6 mm +0.068/+0.020
 8 & 10 mm +0.083/+0.025
 12 to 18 mm +0.102/+0.032
 20 to 30 mm +0.124/+0.040

For additional information concerning the bearing material, see page 5-64.



The projections shown are per ISO convention.

METRIC COMPONENT

Catalog Number	d Bore E10	H	H ₁	T	A	A ₁	L	l	w	a	Max. Angle of Pivot
S61GPBM0508	5	14	7	4	8	6	34	25	3.3	5	30°
S61GPBM0609	6	20	10	5.5	9	7	43	33	4.5	6	29°
S61GPBM0812	8			6	12	9	47			7	25°
S61GPBM1014	10	28	14	7.5	14	10.5	62	46	5.5	8	25°
S61GPBM1226	12			8.5	26	12	65			9	
S61GPBM1429	14	36	18	9.5	29	13.5	82	60	6.6	11	23°
S61GPBM1621	16			10.5	21	15	86			12	
S61GPBM1823	18	44	22	11.5	23	16.5	93	68	9	13	23°
S61GPBM2025	20			13	25	18	98			14	
S61GPBM2228	22	48	24	14	28	20	108	74	9	16	22°
S61GPBM2531	25	54	27	16	31	22	124	86	17		
S61GPBM3037	30	64	32	17	37	25	139	96	11	20	22°

Catalog Number (Ref.)	Max. Static Tensile Strength		Maximum Torque for Longitudinal Holes N • m
	Short-Term N	Long-Term N	
S61GPBM0508	698	347	0.54
S61GPBM0609	1099	547	1.36
S61GPBM0812	1299	649	
S61GPBM1014	1499	747	2.44
S61GPBM1226	2197	1099	
S61GPBM1429	2398	1197	4.47
S61GPBM1621	2998	1499	
S61GPBM1823	3496	1748	10.4
S61GPBM2025	4697	2349	
S61GPBM2228	6099	3047	21.6
S61GPBM2531	6597	3296	
S61GPBM3037	8096	4048	

