

FEMALE PLASTIC ROD END BEARINGS

SDPSI

MAINTENANCE-FREE
 SELF-LUBRICATING
 LIGHTWEIGHT
 COMPENSATES FOR ALIGNMENT ERRORS
 AND EDGE LOADS

PHONE: 516.328.3300 • FAX: 516.326.8827 • WWW.SDP-SI.COM



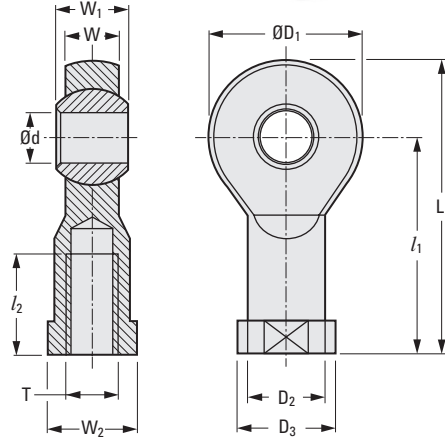
> MATERIAL:

Body - Thermoplastic
Ball - L280® Polymer

> OPERATING TEMPERATURE:

-40°C to +130°C

For additional information concerning the bearing material, see page 5-64.



METRIC COMPONENT

Catalog Number *	d Bore E10	D1 Dia.	T Thread Size	D2	D3	W	W1	l1	l2	L	W2 Wrench Size	Shaft Size	
												Min.	Max.
S62GFRM0306 <input type="checkbox"/>	3	13	M3	6.5	8	4.5	6	18.5	8	25	06	2.975	3.000
S62GFRM0508 <input type="checkbox"/>	5	18	M5	9	12	6	8	27	10	36	09	4.970	5.000
S62GFRM0609 <input type="checkbox"/>	6	20	M6	10	13	7	9	30	12	40	11	5.970	6.000
S62GFRM0812 <input type="checkbox"/>	8	24	M8	13	16	9	12	36	16	48	14	7.964	8.000
S62GFRM1014 <input type="checkbox"/>	10	30	M10	15	19	10.5	14	43	20	58	17	9.964	10.000
S62GFRM1216L <input type="checkbox"/>	12	34	M12	18	22	12	16	50	22	67	19	11.957	12.000
ΔS62GFRM1216R <input type="checkbox"/>				19.75	—								
S62GFRM1419 <input type="checkbox"/>	14	38	M14	20	25	13.5	19	57	25	76	22	13.957	14.000
S62GFRM1621 <input type="checkbox"/>	16	42	M16	22	27	15	21	64	28	85	22	15.957	16.000
S62GFRM1823 <input type="checkbox"/>	18	46	M18 x 1.5	25	31	16.5	23	71	32	94	27	17.957	18.000
S62GFRM2025 <input type="checkbox"/>	20	50	M20 x 1.5	28	34	18	25	77	33	102	30	19.948	20.000
S62GFRM2228 <input type="checkbox"/>	22	56	M22 x 1.5	30	37	20	28	84	37	112	32	21.948	22.000
S62GFRM2531 <input type="checkbox"/>	25	60	M24 x 2	32	41	22	31	94	42	124	36	24.948	25.000

Catalog Number (Ref.)	Max. Angle of Pivot	Max. Static Tensile Strength N		Max. Radial Load N		Min. Thread Engmnt. mm	Max. Torque Stngth Inner Threading N • m	Max. Torque Strength N • m
		Short-Term	Long-Term	Short-Term	Long-Term			
S62GFRM0306 <input type="checkbox"/>	30°	796	396	98	49	5	0.5	2.03
S62GFRM0508 <input type="checkbox"/>		996	498	249	125	7	1	5.02
S62GFRM0609 <input type="checkbox"/>	29°	1397	698	396	196	8	1.49	10
S62GFRM0812 <input type="checkbox"/>	25°	2100	1050	698	347	11	10	12.1
S62GFRM1014 <input type="checkbox"/>		3096	1548	796	396	13	15	20.1
S62GFRM1216L <input type="checkbox"/>	25°	3599	1797	899	449	15	20	30
ΔS62GFRM1216R <input type="checkbox"/>		3999	1997	996	496	17	24.9	35
S62GFRM1621 <input type="checkbox"/>	23°	4199	2100	1299	649	19	30	40
S62GFRM1823 <input type="checkbox"/>	23°	4599	2300	1597	796	21	45	45
S62GFRM2025 <input type="checkbox"/>		5396	2696	2100	1050	22	60.1	55
S62GFRM2228 <input type="checkbox"/>	22°	6997	3496	2197	1099	25	75	60.1
S62GFRM2531 <input type="checkbox"/>		8446	4248	2300	1148	28	120	

* To complete Catalog Number, specify **R** for Right-Hand Thread and **L** for Left-Hand Thread.
 Δ Stem has a hexagonal shape, not rounded as shown.

©Copyright 2019 Stock Drive Products / Sterling Instrument, a Designatronics company. All rights reserved.

5-65
 D815
 REV:
 4/24/23

