

# MALE PLASTIC ROD END BEARINGS

**SDP/SI**  
Stock Drive Products

PHONE: 516.328.3300 • FAX: 516.326.8827 • WWW.SDP-SI.COM

MAINTENANCE-FREE  
SELF-LUBRICATING  
LIGHTWEIGHT  
COMPENSATES FOR ALIGNMENT ERRORS  
AND EDGE LOADS



**> MATERIAL:**

**Body** - Thermoplastic

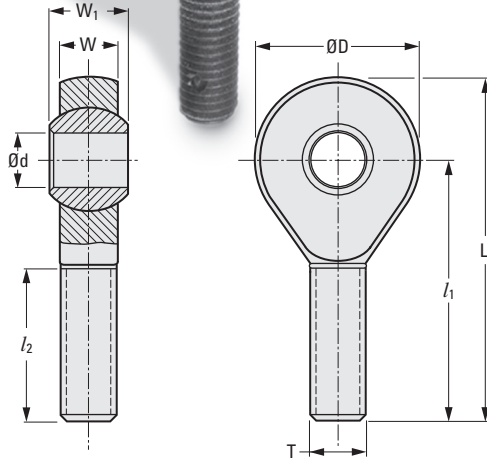
**Ball** - L280® Polymer

**> OPERATING TEMPERATURE:**

-40°C to +130°C

For additional information concerning the bearing material, see page 5-64.

SDP/SI SDP/SI SDP/SI



**METRIC COMPONENT**

Catalog Number *	d Bore E10	D Dia.	T Thread Size	W	W <sub>1</sub>	l <sub>1</sub>	l <sub>2</sub>	L	Shaft Size	
									Min.	Max.
S62GMRM0508 <input type="checkbox"/>	5	18	M5	6	8	33	19	42	4.970	5.000
S62GMRM0609 <input type="checkbox"/>	6	20	M6	7	9	36	21	46	5.970	6.000
S62GMRM0812 <input type="checkbox"/>	8	24	M8	9	12	42	25	55	7.964	8.000
S62GMRM1014 <input type="checkbox"/>	10	30	M10	10.5	14	48	28	63	9.964	10.000
S62GMRM1216 <input type="checkbox"/>	12	34	M12	12	16	54	32	71	11.957	12.000
S62GMRM1419 <input type="checkbox"/>	14	38	M14	13.5	19	61	36	79	13.957	14.000
S62GMRM1621 <input type="checkbox"/>	16	42	M16	15	21	66	37	88	15.957	16.000
S62GMRM1823 <input type="checkbox"/>	18	46	M18 x 1.5	16.5	23	72	41	96	17.957	18.000
S62GMRM2025 <input type="checkbox"/>	20	50	M20 x 1.5	18	25	78	45	104	19.948	20.000
S62GMRM2228 <input type="checkbox"/>	22	56	M22 x 1.5	20	28	84	48	112	21.948	22.000
S62GMRM2531 <input type="checkbox"/>	25	60	M24 x 2	22	31	94	55	125	24.948	25.000

Catalog Number (Ref.)	Max. Angle of Pivot	Max. Static Tensile Strength N		Max. Radial Load N		Min. Thread Engmt. mm	Max. Torque Stngth Inner Threading N • m	Max. Torque Strength N • m
		Short-Term	Long-Term	Short-Term	Long-Term			
S62GMRM0508 <input type="checkbox"/>	30°	801	400	80	40	13	0.41	5
S62GMRM0609 <input type="checkbox"/>	29°	1001	498	98	49	15	0.54	10
S62GMRM0812 <input type="checkbox"/>	25°	1699	850	200	98	18	2	12.1
S62GMRM1014 <input type="checkbox"/>		2500	1250	298	147	20	5	20.1
S62GMRM1216 <input type="checkbox"/>		2700	1348	396	200	22	6	30
S62GMRM1419 <input type="checkbox"/>		3398	1699	698	347	25	12.1	35
S62GMRM1621 <input type="checkbox"/>	23°	3897	1948	796	396	26	16.9	40
S62GMRM1823 <input type="checkbox"/>		4199	2100	996	498	29	20.1	45
S62GMRM2025 <input type="checkbox"/>		5996	2988	1299	649	32	24.9	55
S62GMRM2228 <input type="checkbox"/>		22°	7197	3599	1499	747	34	24.9
S62GMRM2531 <input type="checkbox"/>	7500		3750	1899	947	39	45	64.9

\* To complete Catalog Number, specify **R** for Right-Hand Thread and **L** for Left-Hand Thread.

5-63  
D815

REV:  
4/20/23

I

R

T

1

2

3

4

5

6

7

8

9

10

11

12

13

14

15

A