

# FLANGE-MOUNTED NEEDLE ROLLER BEARINGS

# SDP/SI

SELF-ALIGNING TO  $\pm 5^\circ$   
FLANGE-MOUNTED

PHONE: 516.328.3300 • FAX: 516.326.8827 • WWW.SDP-SI.COM



**> MATERIAL:**

**Bearing** - Drawn Cup Needle  
**Housing** - Carbon Steel, Black Oxide Finish

**> OPERATING TEMPERATURE:**

-30°C to +100°C

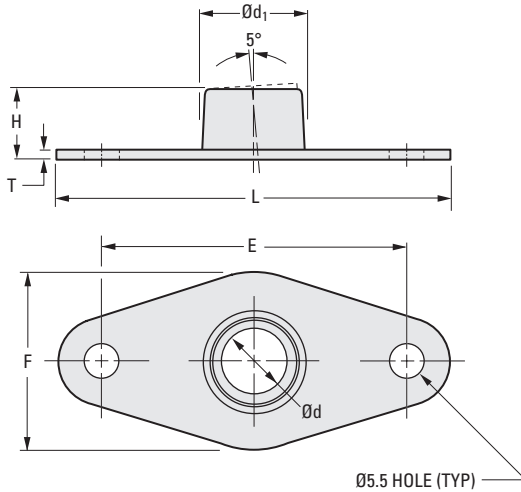
**> SHAFT REQUIREMENTS:**

Any material, HRC 58 to 64  
with a 0.4  $\mu\text{m}$  or finer finish.



SDP/SI

Nominal Shaft Diameter	Maximum Diameter	Minimum Diameter
6	6.000	5.992
8	8.000	7.991
10	10.000	9.991
12	12.000	11.989
15		



The projections shown are per ISO convention.

## METRIC COMPONENT

Catalog Number	d Nom. I.D.	d <sub>1</sub> Clearance Hole Dia. (Ref.)	L Overall Length	F Overall Width	E Mounting Distance	T Nominal Flange Thickness	H Height	Max. Speed rpm	Max. Radial Load N
A 7Z56MBFM06MN	6	17	53	30	39	1.5	11.6	35000	2550
A 7Z56MBFM08MN	8	22	45	31.8	30.9	2.3	16.3	28000	2550
A 7Z56MBFM10MN	10							23000	
A 7Z56MBFM12MN	12	28	60	39.6	45.2	2.3	19.5	20000	4000
A 7Z56MBFM15MN	15	33		47			22.5	16000	4800

I

R

T

1

2

3

4

5

6

7

8

9

10

11

12

13

14

15

A