

FLANGE-MOUNTED SINTERED BRONZE BEARINGS

SDPSI

SELF-ALIGNING TO $\pm 5^\circ$
 SELF-LUBRICATING
 FLANGE-MOUNTED

PHONE: 516.328.3300 • FAX: 516.326.8827 • WWW.SDP-SI.COM



> MATERIAL:

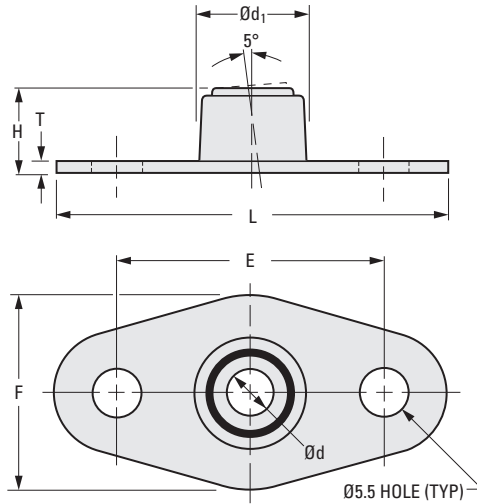
Bearing - Oil-Impregnated Sintered Bronze
Flange & Retainer - Carbon Steel, Black Oxide Finish

> OPERATING TEMPERATURE:

-29°C to +93°C

> SHAFT REQUIREMENTS:

Any material, soft or hard, HRB 95,
 with a 0.4 μm or finer finish



The projections shown are per ISO convention.

METRIC COMPONENT

Catalog Number	d Nom. I.D.	Actual I.D. +0.02 0	d ₁ Clearance Hole Dia. (Ref.)	L Overall Length	F Overall Width	E Mtg. Dist.	T Nominal Flange Thickness	H Height	Max. Speed rpm	Max. Radial Load N
A 7Z42MBFM06MB	6	6.02	13.5	45	22.3	31	1.2	10.2	16110	790
A 7Z42MBFM08MB	8	8.02	17	53	30.2	39	1.5	11.5	12120	1190
A 7Z42MBFM10MB	10	10.02							9700	1490
A 7Z42MBFM12MB	12	12.03	21.5	60	36.5	45.2	1.5	16.3	8060	2530
A 7Z42MBFM15MB	15	15.03	28	60	39.7	45.2	2.3	19.4	6460	3750

I

R

T

1

2

3

4

5

6

7

8

9

10

11

12

13

14

15

A