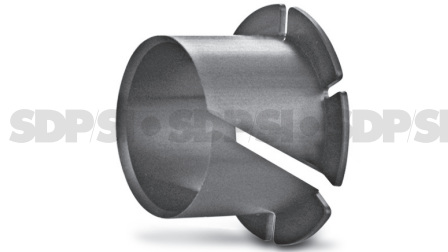


# CLIP BEARINGS WITH BEVELED EDGES



LOW CLEARANCE  
 MAINTENANCE-FREE  
 ECONOMICAL  
 HIGH PRECISION  
 HIGH WEAR RESISTANCE

PHONE: 516.328.3300 • FAX: 516.326.8827 • WWW.SDP-SI.COM



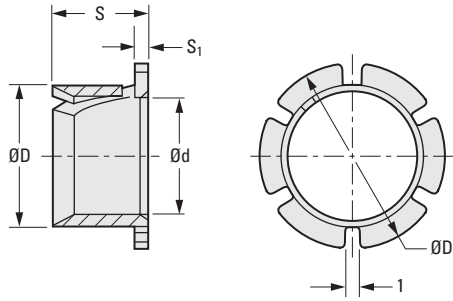
**> MATERIAL:**

M250® Polymer

**> OPERATING TEMPERATURE:**

Continuous: -40°C to +80°C

Intermittent: +170°C



**METRIC COMPONENT**

Catalog Number	d Bore	D Dia	S Length	D <sub>1</sub> Flange Dia.	S <sub>1</sub> Flange Width	Recommended			
						Housing Bore		Shaft Size	
						Max.	Min.	Max.	Min.
S99GMYM040504	4	5.2	4	7	0.6	5.20	5.02	4.000	3.975
S99GMYM050605	5	6.2	5	8		6.20	5.98	5.000	4.975
S99GMYM060706	6	7.2	6	9.5		7.20	6.98	6.000	5.975
S99GMYM081008	8	9.6	8	12	0.8	9.60	9.38	8.000	7.975
S99GMYM101210	10	11.6	10	15		11.60	11.33	10.000	9.975
S99GMYM121412	12	13.6	12	18		13.60	13.33	12.000	11.975
S99GMYM141614	14	15.6	14	21		15.60	15.33	14.000	13.975
S99GMYM161816	16	17.6	16	24		17.60	17.33	16.000	15.975
S99GMYM202220	20	21.6	20	30		21.60	21.27	20.000	19.975
S99GMYM252825	25	27.4	25	37.5	1.2	27.40	27.07	25.000	24.962

- I
- R
- T
- 1
- 2
- 3
- 4
- 5
- 6
- 7
- 8
- 9
- 10
- 11
- 12
- 13
- 14
- 15
- A