

HIGH COMPRESSIVE STRENGTH
 VERY LOW MOISTURE ABSORPTION
 UNIVERSAL RESISTANCE TO CHEMICALS

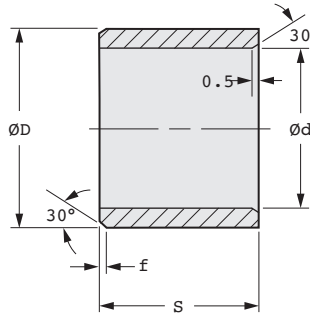
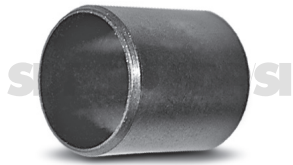
PHONE: 516.328.3300 • FAX: 516.326.8827 • WWW.SDP-SI.COM



➤ MATERIAL:
 T500® Polymer

➤ OPERATING TEMPERATURE:
 -100°C to +250°C

For additional information concerning the bearing material, see page 5-40.



METRIC COMPONENT

Catalog Number	d Bore	d Tolerance	D Dia.	S h13	I.D. After Pressfit	
					Max.	Min.
S99GTPM020403	2	+0.046/+0.006	3.5	3	2.046	2.006
S99GTPM030506	3		4.5	6	3.046	3.006
S99GTPM040604	4		5.5	4	4.058	4.010
S99GTPM050708	5	+0.058/+0.010	7	8	5.058	5.010
S99GTPM061008	6		6.058		6.010	
S99GTPM081015	8	+0.071/+0.013	10	15	8.071	8.013
S99GTPM101212	10		12	12	10.071	10.013
S99GTPM121415	12		14	15	12.086	12.016
S99GTPM161820	16	+0.086/+0.016	18	20	16.086	16.016
S99GTPM202220	20		22		20.104	20.020

Catalog Number (Ref.)	Housing Bore		Shaft Size		f
	Max.	Min.	Max.	Min.	
S99GTPM020403	3.580	3.500	2.000	1.975	0.3
S99GTPM030506	4.512	4.500	3.000	2.975	
S99GTPM040604	5.512	5.500	4.000	3.970	
S99GTPM050708	7.015	7.000	5.000	4.970	
S99GTPM061008	10.015	10.000	6.000	5.970	
S99GTPM081015			8.000	7.964	
S99GTPM101212	12.018	12.000	10.000	9.964	0.5
S99GTPM121415	14.018	14.000	12.000	11.957	
S99GTPM161820	18.018	18.000	16.000	15.957	0.8
S99GTPM202220	22.021	22.000	20.000	19.948	

